



AUSTRALIAN
FLYBALL
ASSOCIATION

Rules and Policies
of the
Australian Flyball Association Inc.

June, 2017 Update

Passed - AGM Motions 9.4 and Open Format

November, 2016 - On Trial Changes - Chapter 10

March, 2017 - On Trial Changes - Chapters 5 & 6

June, 2017 - On Trial Changes - Chapter 6

Contents

Chapter 1 – HOSTING A SANCTIONED COMPETITION.....	3
Section 1.0 - Club Membership of AFA.....	3
Section 1.1 – Requirements to Host Competitions	3
Section 1.2 – Points	4
Section 1.3 – Format and Schedule	5
Section 1.4 – Seed Times and Breakout Penalties.....	5
Section 1.5 – Meaningless Heats.....	6
Section 1.6 – Judges	6
Chapter 2 - RULES FOR COMPETITION	6
Section 2.1 – Code of Ethics	6
Section 2.2 – Misconduct	7
Section 2.3 – Amateur Competitions	7
Section 2.4 – Changing Teams.....	7
Section 2.5 - Protests.....	7
Section 2.6 – Record Times	7
Section 2.7 – Definitions.....	8
Section 2.8 – Footwear.....	8
Chapter 3 – EQUIPMENT	8
Section 3.1 – Flyball Boxes	8
Section 3.2 – Balls.....	9
Section 3.3 – Jumps	9
Chapter 4 – RING SET UP	10
Section 4.1 – Footing	10
Section 4.2 – Barriers.....	10
Section 4.3 – Ring Layout	10
Chapter 5 – TEAMS AND TIME SHEETS (ON TRIAL CHANGES – MARCH, 2017)	11
Chapter 6 – MEASURING AND HEIGHT CARDS.....	12
Section 6.1 – Measuring (ON TRIAL CHANGES – JUNE, 2017).....	12
Section 6.2 – Height Cards (ON TRIAL CHANGES – MARCH, 2017) (ON TRIAL CHANGES – JUNE, 2017)	13
Section 6.3 – Running Heights at Competition (ON TRIAL CHANGES – JUNE, 2017)	14
Section 6.4 – Challenge to a Teams Running Height (ON TRIAL CHANGES – JUNE, 2017).....	14
Section 6.5 – Process for Challenging a Height Card.....	16
Chapter 7 –FORFEIT RULES.....	17
Chapter 8 – PRACTICE RUNS.....	19
Chapter 9 – RULES OF RACING	20
Section 9.1 – Jump Heights.....	20
Section 9.2 – The Race.....	20
Section 9.3 – Aggressive Dogs	25

Section 9.4 – Lame Dogs, Bitches in Season, Dogs Recovering from Surgery, Leg Wrapping.....	25
Section 9.5 – Sandbagging.....	25
Chapter 10 – JUDGES, STEWARDS and AFA REP (ON TRIAL CHANGES – NOVEMBER, 2016)	26
Section 10.1 – Judges	26
Section 10.2 – Judges Guidelines	27
Section 10.3 – Judges, Timekeeper and Stewards Duties	27
Section 10.4 – AFA Representative Duties	29
Chapter 11 FLYBALL TITLES.....	30
Section 11.1 – Titles – Title Points System	30
Section 11.2 – Annual Awards.....	31
Chapter 12 RULE CHANGES	31
Section 12.1 – Motions.....	31
Section 12.2 – On Trial Rule Implementation	31
Chapter 13 INVESTIGATIONS.....	32
Section 13.1 – Investigations.....	32
AFA POLICIES AND EQUIPMENT STANDARDS	33
Policy 1 – AFA PRIVACY POLICY	33
Policy 2 – DOG BEHAVIOUR POLICY	34
Policy 3 – TRAINING DAY POLICY.....	36
Policy 4 – COMPETITION CANCELLATION POLICY	38
Policy 5 – NATIONALS PLANNING & PRESENTATION POLICY	39
Policy 6 – DISABILITY ACTION POLICY.....	42
Policy 7 – TRAINING IN THE RING POLICY	43
Policy 8 – ANTI BULLYING POLICY.....	44
Policy 9 – SOCIAL MEDIA POLICY.....	45
Equipment Standard 1 – JUMPS.....	47
Appendix A - ROUND ROBIN COMPETITION FORMAT (Including Handicap Round Robin format)	48
Appendix B – ELIMINATION COMPETITION FORMAT	53
Appendix C – CHAMPIONS TROPHY FORMAT	53
Appendix D – VETERANS CLASS FORMAT.....	56
Appendix E – OPEN CLASS FORMAT.....	57
Appendix F – SCHEDULE OF FEES	58

Chapter 1 – HOSTING A SANCTIONED COMPETITION

Section 1.0 - Club Membership of AFA

All Clubs wishing to conduct AFA Sanctioned events OR have teams eligible to enter AFA sanctioned events are required to be affiliated with the AFA - and to renew membership annually. Membership is due at end June and a 30 day grace period will be allowed for renewal. Where a club does not renew or advises that it is no longer actively involved in flyball it will be listed as “Non-financial” on the AFA data base for the following two years and if in that time it applies to re-affiliate it will be required to pay all outstanding annual fees. Non-financial clubs will not be able to enter teams in AFA competitions or conduct AFA sanctioned events. After being non-financial for two years the Club will be listed as “Defunct” on the AFA data base of membership and cease to be a member of the Association.

Section 1.1 – Requirements to Host Competitions

(a) The host club must submit an application (Application for an AFA Sanctioned Competition) stating the date, time and place of the competition; the name, address and telephone number of the organiser; entry fee; whether the entries are limited; the closing date; the name of the Judge(s); the basis for deciding divisional tied results and any prizes or expense money offered and any special conditions. The AFA will not sanction competitions where all AFA members’ dogs would not be allowed to participate on the competition grounds.

Applications for unlimited entries are to be submitted at least sixty (60) days prior to the closing date. Applications for limited entries are to be submitted at least one hundred and twenty (120) days prior to the closing date. The application cannot be approved if another AFA sanctioned competition is held on the same day in accordance with the following categories:

- (i) Within 100 kilometres if a local competition
- (ii) Within the state if a state competition.
- (iii) Within the nation if a national competition.

A Sanctioned Permit Application Fee must accompany the application. The host club must be affiliated with the Australian Flyball Association Inc. An Club Affiliation Fee per year applies. (refer to Appendix F – Schedule of Fees)

- (b) The host club must follow current AFA Rules and Policies and comply with the AFA Constitution.
- (c) All seeding and placing of teams in divisions is to be approved by the AFA, via the Regional Representative or the Supervisory Judge.
 - (i) If it is necessary to run any division of less than 3 teams, it is recommended that this division be combined with an adjacent division. Division placements and break-out times for each individual division still apply, however AFA competition points are awarded for all heats in the combined division.
 - (ii) The AFA Regional Representative or Supervisory Judge shall receive proposed seeding and competition formats from the Competition organiser no later than 7 days before the competition for review and approval.
- (d) The host club must get written approval from the AFA for any and all special or unusual requests.
- (e) All teams registered with the AFA are to be notified via a notice on the AFA website of the date, time and place of the competition and the name and telephone number of the contact person prior to the closing date.

(f) The host club may not limit entries to less than four. In cases of limited entries, the host club must accept entries by the date received. All the entries may be from the same club (i.e. Front Runners A team, Front Runners B team, Front Runners C team, Front Runners D team etc.). However, multiple entries of the same club are to be treated as one entry until after the closing date. Any remaining openings are to be filled by the second entry for those teams that enter more than one team, followed by the third entry for those teams that enter more than two teams and so on until the entries are filled. Clubs are required to indicate the priority of selection for multiple team entries. Clubs notified that one or more of their nominated teams cannot be accepted due to competition limits may resubmit the seed times and/or dogs entered for their accepted teams within one week of the notification. Organisers must allow for this extra time.

(g) AFA recognises two classes of competition:

Regular and Non-Regular:

- (i) The AFA Regular class of competition includes teams made up of any breed(s) of dog and/or mixed breeds and must be offered at every sanctioned competition.
- (ii) A Non-Regular class (Pee-wee, Veterans, Open.) is any class other than the AFA Regular class.

No dog shall be listed on more than one time sheet in any given class of competition. No dog shall be listed on the timesheets from more than one club at any given event except for open class racing. Dogs may not compete in more than one class at an AFA sanctioned competition except:

- (i) When the competition's regular class is unlimited or;
- (ii) When all entries received for a competition's limited entry regular class are accepted.

(h) Following the competition, the host club is to submit to the AFA within 14 days the following:

- (i) Original Competition Timesheets
- (ii) Original Competition Entry Forms
- (iii) Competition Results Form
- (iv) Register of Honorary Members Form
- (v) Witness Declaration Forms
- (vi) Provisional Judges Forms
- (vii) Completed Title Points Workbook
- (viii) The Electronic Judging System (EJS) Levy (refer to Appendix F – Schedule of Fees) per entered team.

The following penalties will be applied when fees, timesheets and competition results are not received by the AFA within 14 day time period:

- (i) After 14 days the host club shall be charged a \$20.00 late penalty.
- (ii) After 30 days a \$40.00 late penalty will apply.
- (iii) After 60 days a \$80.00 late penalty will apply.

Section 1.2 – Points

Points towards Flyball titles will be awarded provided timesheets are signed by a Judge and an AFA representative who were present and certify that at least four (4) teams actually competed.

Section 1.3 – Format and Schedule

The competition format and schedule shall be approved by the AFA via Regional Representative or the Supervisory Judge. The competition format includes:

- (a) Teams in each division along with the seed time of each team (declared or web seed time) and the breakout time assigned to each team.
- (b) Format of the competition, e.g. Round Robin with or without Single/Double elimination, and whether the two rounds are added together or not.
- (c) Scoring – how wins and placing are determined; and how tied scores would be broken.

The host club shall make available the race schedule (running order) on the AFA website.

Section 1.4 – Seed Times and Breakout Penalties

Seed Time:

- (a) Teams shall be seeded based on the information listed on the AFA website under Seed Times on the nominated close of entry date of each competition. These times are based on the fastest time recorded by a team during the latest three competitions that have been processed by the AFA. Times set at any competition that has occurred after the processing date indicated on the web are not to be taken into account. Any times recorded more than 4 months before the recalculation date are declared null and void. Teams which use the seed time listed on the AFA website under Seed Times will be subject to the division breakout time. In summary seed times listed on the Web on the day of close of entries shall be the official Web times for the competition.
- (b) Teams can also elect to use a declared seed time which must be accompanied by a written justification on the entry form as to why they are using a declared time. If a team uses a declared seed time which is slower than the time listed on the AFA website under Seed Times it must be at least one (1) second slower than the listed Seed Time (e.g. website time is 25.452 therefore the team must enter a seedtime of 26.452 or slower). You can declare a faster time than the time listed but there is no minimum to this amount (e.g. Website time is 23.213, you can declare a time less than a second faster i.e. 23.000).
- (c) New teams or teams which have not raced for four months must provide a declared seed time, the seed time declared by the team becomes subject to its own (one) 1 second breakout not the division breakout (except in Division 1 where no breakout applies).
- (d) Division break out time will be one (1) second faster than the fastest seedtime for each division (except Division 1 where no break out applies). When manual judging is used (in the absence or failure of the Electronic Judging System), the Break Out time will be two (2) seconds faster than the fastest seedtime for each division (except Division 1).

Breakout Penalties: When the first breakout occurs, the time is recorded and B/O is circled on the timesheet, and the heat is awarded to the opposing team that did not break out. The breakout team gains one point if a clean run (4 dogs) and the opposing team gains one title point if a clean run (4 dogs) and one title point for the win. If the opposing team has not completed a clean run it gains no title points. This is the same for the next two breakouts by the same team.

After the third breakout, the team forfeits the right to place in the competition but does not forfeit the right to gain an AFA title point if they complete a clean heat with 4 dogs. A team that has broken out three times in a competition can only win a maximum of one title point

per heat completed cleanly with 4 dogs in the following heats. The breakout team is unable to win any further heats during this competition. If the opposing team finishes the heat they will be awarded one title point for a clean run (4 dogs) and an additional title point for a win. If the team does not have a clean run with 4 dogs they gain no AFA points for that heat. Where a team breaks out and is eliminated from a round robin competition all teams racing the breakout team (before and after the breakout) will be awarded competition points for wins or ties against the breakout team. A team that has already broken out three times in a preceding round robin format cannot race in either single or double elimination racing to decide the placing of the competition.

Section 1.5 – Meaningless Heats

Only races that have been approved by the AFA for the scheduled competition may be run.

Section 1.6 – Judges

A Judge at a competition may be substituted with a Judge not listed in 1.1(a) above at the discretion of the Competition Organiser in consultation with the AFA Representative.

In circumstances where a Club or Team are of the opinion that a Judge is not complying with the AFA code of conduct then the correct course of action is to report their concerns to the AFA Representative on the day who can then observe the situation and, if necessary, report to the AFA Committee.

Chapter 2 - RULES FOR COMPETITION

Section 2.1 – Code of Ethics

- (a) One of the objectives of the AFA is to promote co-operation and good sportsmanship in the training and exhibition of dogs. Co-operation and good sportsmanship should not be recognised in passive observance, but as a way of life in training and competition. Participants shall at all times be courteous and friendly. At no time should they show displeasure with a dog, a Judge, exhibitor, AFA representative, sponsor, host or spectator, in or out of the ring. Participants should never conduct themselves in a manner which would bring discredit to the sport of Flyball. As a participant, whether exhibitor, trainer, Judge, host club or AFA representative, you typify the sport of Flyball.
- (b) Training and exhibiting shall be carried out by such methods that are in the best interest of the dog and the sport of Flyball.
- (c) Abuse or severe disciplining of a dog (e.g. shaking, smacking, kicking etc.) is not in the best interest of the sport of Flyball. Abuse may include the running of dogs that are not one (1) year of age.
- (d) Participants shall always follow the rules and policies, showing knowledge and an understanding of the same.
- (e) Any individual or club in good standing with the Australian Flyball Association Inc. may file a protest or prefer charges against another individual or club for alleged misconduct, in or out of the ring, prejudicial to the best interest of the sport of Flyball as provided for under Section 2.2. Protests filed during competition should be done in such as manner as not to bring discredit to the sport of Flyball.

Section 2.2 – Misconduct

Misconduct shall include, but not be limited to, abusive or foul language, demonstration of dissatisfaction with a Judge's decision, mistreatment or inhumane treatment of a dog, demonstration of poor sportsmanship, wilful violation of the rules with the intent to gain an unfair advantage or any other behaviour or altercation that would leave a spectator or exhibitor with an unfavourable opinion of the sport of Flyball.

Section 2.3 – Amateur Competitions

The purpose for which the AFA was formed is to promulgate rules for amateur Flyball competition in Australia, to train and approve Judges, to sanction amateur Flyball competitions and demonstrations, to promote interest in the sport of Flyball, to encourage amateur Flyball competition and to recognise excellence. The Association is a not-for-profit amateur sports organisation.

Section 2.4 – Changing Teams

- (a) If a dog has raced in an AFA sanctioned competition the dog may not race with another Club/Team for 90 days. This does not apply when changing teams within a Club (e.g. going from Front Runners A team to Front Runners B team) or in veterans and open format.
- (b) Members may apply to the AFA Committee for exemption from the 90 day exclusion under one or more of the following circumstances:
 - (i) if the handler/dog has relocated to another area;
 - (ii) the handlers original Club/Team has dissolved and ceased to function;
 - (iii) the handler/dog are joining a newly formed Club/Team (A Club/Team is defined as 'new' from time of affiliation with AFA until it enters a Team and races in its first AFA sanctioned competition.
- (c) Receipt of AFA approval of any exemption application is required prior to the dog racing for a different Club/Team.
- (d) A dog may be included on a competition entry form whilst the handler is waiting for exemption approval but cannot race in that competition unless AFA approval under Clause (b) above has been received.
- (e) Any dog found to have breached this Rule (i.e. raced for a different Club/Team without exemption approval during the 90 day exclusion period) will result in the disqualification of the team in which the dog ran and the withdrawal of all AFA Title points earned at the competition by all dogs in the team.

Section 2.5 - Protests

During competition, protests may only be lodged before the start of the next heat. Protests that are not lodged before the start of the next heat must be submitted in writing to the AFA. The AFA will notify all parties of its decisions, recommendations and/or actions.

Section 2.6 – Record Times

The minimum requirement for having an Australian record time recognised is to:

- (a) Have electronic timing;
- (b) A continuous video of the heat including showing the time sheet after the completion of the heat. The video must be in line with the start finish line, with a clear view of the sensor panels, and the light tree. The continuous video must also have a date and the frame counter activated at the time the video evidence is taken.
- (c) All passes / exchanges must be clean to qualify for an Australian record.

- (d) The electronic judging system must not show any errors or faults and show the heat time after the green light for declaring the winner has been activated.
- (e) The heat should be timed with a stopwatch when the video is reviewed. The hand timing is to confirm that the tape is of the actual run in question.
- (f) To verify a new AFA record time the judge must verify the following using AFA form C.13: Race lane length, jump placement, box throw, jump heights, and height dog measurement.

See also Australian Record Times Report (*under the "Members" / "Forms" page on AFA website*).

Section 2.7 – Definitions

A Club/Team: A Club/Team for AFA membership and racing purposes shall consist of an affiliated entity to which members and their nominated dogs are recorded as members. Each branch of a branch structured club (Clubs registered as operating in more than one State/Regional area of Australia) shall be treated as a separate Club/Team for affiliation and racing purposes and shall be subject to the requirements of Rules 1.0 and 2.4.

Distraction: is an act that divides the attention or disturbs the concentration of a dog in the opposing team from completing their activity.

Duration of competition: Duration of a competition is the period beginning 30 minutes before the scheduled start time of the first race and ending with the declaration of the last race, including run offs.

EJS: means Electronic Judging System

Interference (Interferes): is when a dog or team member from one team causes the other team to be unable to complete its run cleanly. May occur at any time from prior to first heat (during warm up period) until the last heat of the race has been declared by the Judge. A dog chasing its own ball is not necessarily Interference.

Inbound area, Runoff area: the part of the Ring behind the Start/Finish line, i.e. everywhere except the Racing area.

Racing area, Racing lanes: the part of the Ring in front of the Start/Finish line, i.e. where the hurdles and the box are placed.

Junior Member: a full or Associate member less than 18 years of age.

(Steward) Supervisor: (refer Section 10.3(i)): an adult in close proximity to and overseeing a junior steward. May be inside or outside the ring, but shall not obstruct the racing and not be a member of a team in the ring. Duties are to oversee, mentor and assist the junior steward, particularly if an intense situation develops.

Supervisory Judge: the AFA appointed Supervisory Judge.

Section 2.8 – Footwear

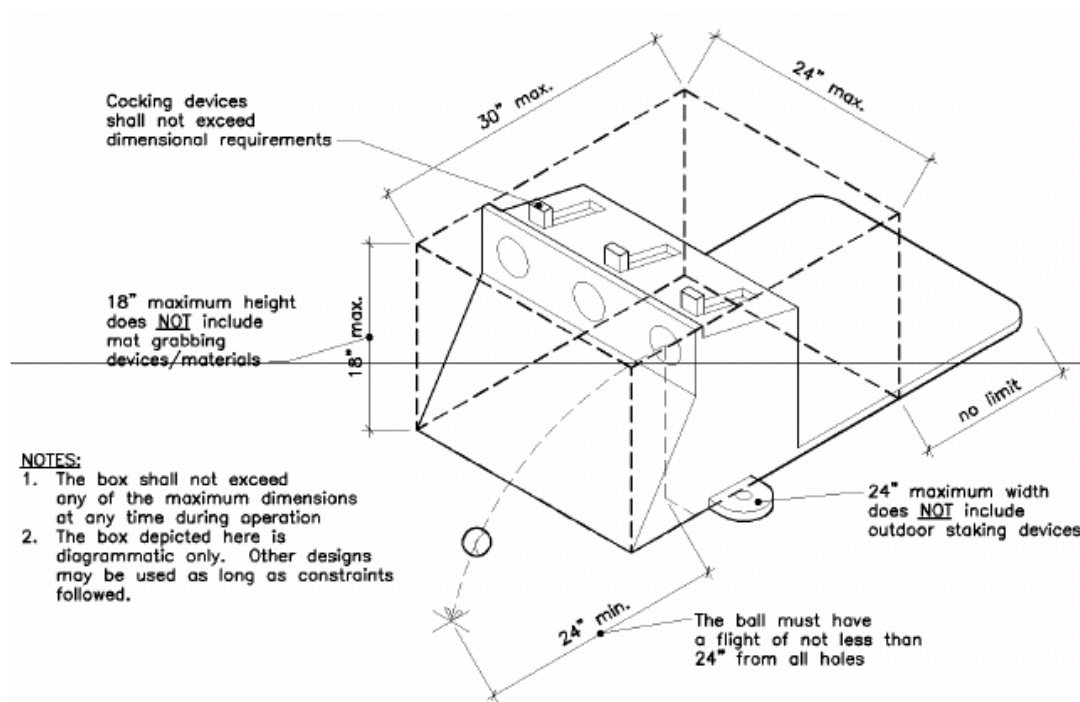
All persons within a ring during competition must wear appropriate fully enclosed footwear, Sandals with open toes, thongs and bare feet are not permitted. This includes Judges, stewards, and box loaders as well as competitors.

Chapter 3 – EQUIPMENT

Section 3.1 – Flyball Boxes

- (a) Each team shall supply a Flyball box.
- (b) All boxes are to have a mechanical (not electrical) pedal release mechanism.

- (c) The boxes may be painted or decorated as the team wishes.
- (d) The ball, when released, must have a free unobstructed flight of not less than 609.6mm (24 inches) from the point that the ball is released, in the direction of the start/finish line from all holes.
- (e) Boxes:
- (i) shall not exceed 609.6mm (24 inches) in width, nor 457.2mm (18 inches) in height from the bottom surface of the box excluding mat grabbing devices/materials and outdoor staking devices
 - (ii) The body of the box shall not exceed (762mm) 30 inches in depth;
 - (iii) The dimensions do not include any platform the box loader uses to stand on.
 - (iv) Mat grabbing devices/materials shall not raise the box by more than one half inch;
 - (v) The box shall not exceed these dimensions at any time during racing (including any permanent attachments to the box, i.e. carrying handles, cocking devices).



Section 3.2 – Balls

Each team shall have its own supply of un-punctured, regulation tennis balls (any colour). Subject to the size and comfort of the dog, squash balls, racket balls, or approved balls may be used. Approved balls must function similar to a tennis ball (i.e. they must bounce and roll).

Section 3.3 – Jumps

- (a) The host club shall provide two sets of regulation (identical) jumps for the duration of the Flyball competition. Supplied Jumps must comply with the AFA Jump Specification Standard from 1st January 2012 onwards. Teams are asked to cooperate by lending equipment.
- (b) The jumps shall be solid flat white except for the uprights (posts), which may be any colour. The jumps shall have an inside width of 609.6mm (24 inches), with uprights (posts) not more than 914.4mm (36 inches) high nor less than 609.6mm (24 inches) high. Logos and/or lettering is permitted on the baseboard but it must not alter the predominately white background of the board and the board must have a minimum of a 50.8 mm (2 inches) white border at both sides and a 25.4mm (1 inch) 50.8mm (2 inch) white border at the top of the board.

- (c) Jump heights shall be set 127.0mm (5 inches) lower than the height at the withers of the smallest dog on the team (running not stand-by), to a minimum of 177.8mm (7 inches). Maximum jump height shall be 355.6 mm (14 inches).
- (d) Jump heights shall be adjusted in 25.4mm (1 inch) increments; to the lowest whole number 12 3/4" becomes 12".
- (e) Jump slats that are broken or bent must be immediately removed from use.
- (f) Jumps (including padding if present) shall be within ¼" in tolerance for height.

Effective from 1st January 2012 all Jumps used in AFA competitions, demonstrations or training days must comply with the designs specifications adopted by the AFA and set down as Equipment Standard Number 1 in these Rules. The Standard specifies the type of materials to be used, their thicknesses and that it is mandatory for all Jump heights to include a 1 inch spacer board as the top board.

Chapter 4 – RING SET UP

Section 4.1 – Footing

When racing indoors the host club shall provide adequate non-slip footing on the racing lane, at the box and in the run back area.

Section 4.2 – Barriers

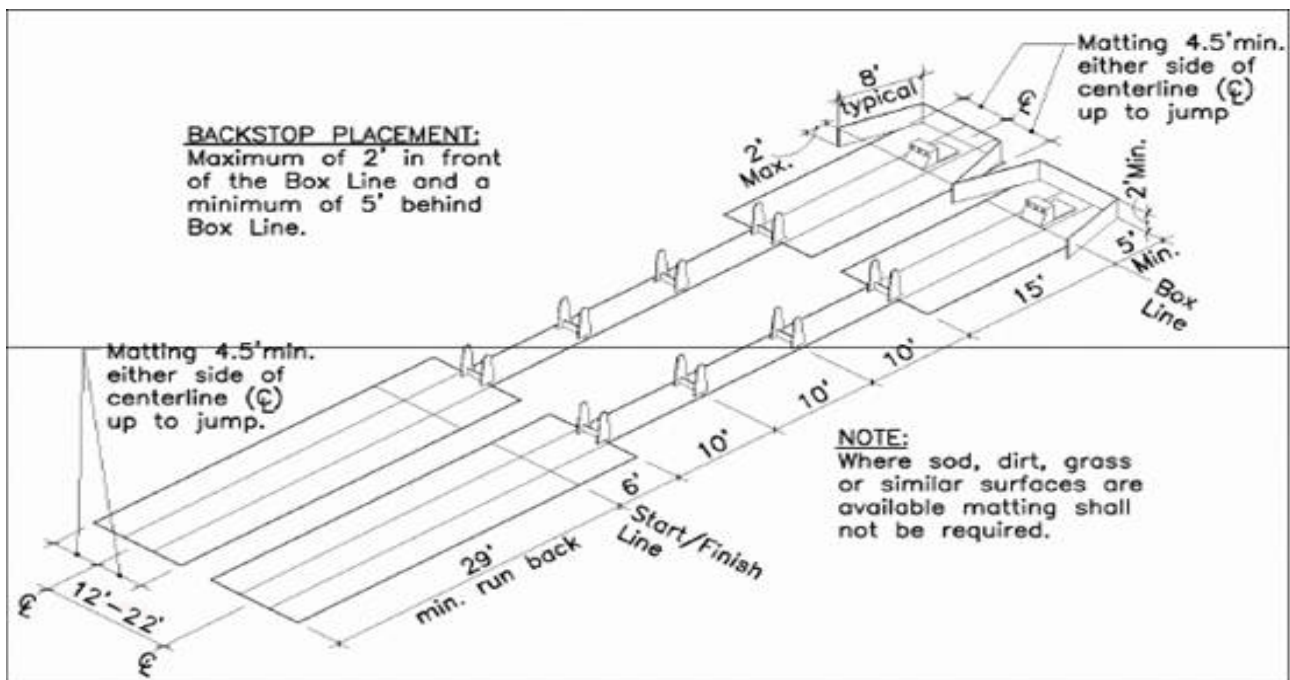
The host club shall provide a barrier/backboard arrangement at the box end of the run, placed so as to prevent missed balls from rolling too far but placed so as not to prevent proper observation by the Judge or to obscure the spectators view. The barrier/backboards shall:

- (a) be a minimum of 609.6 mm (24 inches) high,
- (b) extend between the boxes to not more than 2 feet in front of the box placement line, and
- (c) run reasonably parallel to the box line at a minimum of 5 feet behind the box line at the position of the box loader, to minimise interference and allow space for the box loader (see diagram for preferred arrangement). Barriers shall not comprise jumping equipment.

Section 4.3 – Ring Layout

- (a) All measurements shall be from the centre of the marked Start/Finish Line. There shall be a distance of 6 feet (1.829m) from the start/finish line to the first jump, 16 feet (4.877m) from the start/finish line to the second jump, 26 feet (7.925m) from the start/finish line to the third jump, 36 feet (10.973m) from the start/finish line to the fourth jump and 51 feet (15.545m) from the start/finish line to the front edge of the Flyball box line. The start/finish line shall be clearly definable, bearing in mind the safety of the handlers and dogs.
- (b) Racing lanes are to be a minimum of 3m (10 feet) apart with a maximum of 6.1m (20 feet) apart.
- (c) The ring centre line shall be marked in solid or broken line by spray paint or, if indoors, by tape securely fastened in order to not be a trip hazard.
- (d) The minimum area required under the AFA Rules for two regulation lanes is 9.1m (30 feet) by 27.4m (90 feet).
- (e) The preferred ring size is at least 12.2 m (40 feet) x 33.50 m (110 feet) including entry and exit lanes on either side of start area. This is a recommendation only and competition organisers must ensure the minimum ring size is as per (d) above.
- (f) Each racing lane shall have a separate entry and exit gate.

- (g) In cases of racing lanes being placed on hard surfaces or carpet (such as indoor/outdoor carpet where rug burns are possible) each racing lane shall be matted at a minimum 1.4m (4 1/2 feet) on either side of the racing lane centre line for the length of the racing lane leading up to the first jump and an area from the last jump to the backstops.
- (h) Where sod, dirt, grass or similar surfaces are available matting shall not be required. All racing surfaces must be free of apparent contaminants.
- (i) The use of start tapes/distance markers is allowable providing the following guidelines are used:
 - (i) The tapes are to be placed 4 feet from the centre of the jump line to the right hand side. They must be set equally on each racing lane.
 - (ii) The tapes are not to be placed down the centre line between the two racing lanes.
 - (iii) The tapes are to be securely fastened adequately to prevent them being a trip hazard.



Chapter 5 – TEAMS AND TIME SHEETS (ON TRIAL CHANGES – MARCH, 2017)

- (a) Each team is to consist of a minimum of four (4) dogs and four (4) handlers, with a maximum of six (6) dogs and six (6) handlers, plus a box loader and, at the discretion of the team, up to two runners to pick up loose balls, set up knocked down jumps and to otherwise assist the team, providing doing so does not interfere with the Judge, nor the opposing team, nor in any way assist the dogs or violate the rules.
- (b) Each team is to have four (4) dogs running in each heat, with a maximum of two alternates as standbys close at hand. The reserve(s) may be used at the team's discretion or in the case of an injury. Substitutions may only be made at the end of each heat. Each dog on the team including the reserves must be declared prior to the competition. Once the competition has begun there will be no substituting of the dogs entered on the team.
- (c) The Competition Timesheet shall include the team name; the team captain's name, each dog's name, breed, competition registration number (CRN) and jump height; each handler's name and the name of the box loader. Only AFA members can race dogs in competitions.

- (d) For multiple entries of the same club/team, there will be no switching of dogs from one team to the other once the competition begins.
- (e) A competition registration number (CRN) must be obtained from the AFA (see “Members” / “New Membership” page on the AFA website) prior to competing in any AFA sanctioned competition. This number shall be used to identify the dog throughout its racing career. A fee for a CRN for the first dog and initial membership and then for each concurrent dog after that per year applies (refer Appendix F - Schedule of Fees). The CRN is not transferable to another dog.
- (f) Any dog entered in an AFA sanctioned competition without a valid CRN will result in forfeiture of all points and event placements for that team.
- (g) All Competitors will display their Membership Number whilst racing. The Membership Number must be of a suitable size to be easily read by the Judge.
- ~~(g) All Competitors will wear a tag displaying the CRN or Membership Number of the dog that the competitor is handling whilst racing in the ring at a Sanctioned Competition. The CRN or Membership number must be of a suitable size to be easily read by the Judge, Stewards and Timekeepers.~~
- ~~(h) The first offence of a handler's failure to comply shall receive a warning. A second offence or any offence thereafter during the competition will result in the forfeit of the heat.~~

Chapter 6 – MEASURING AND HEIGHT CARDS

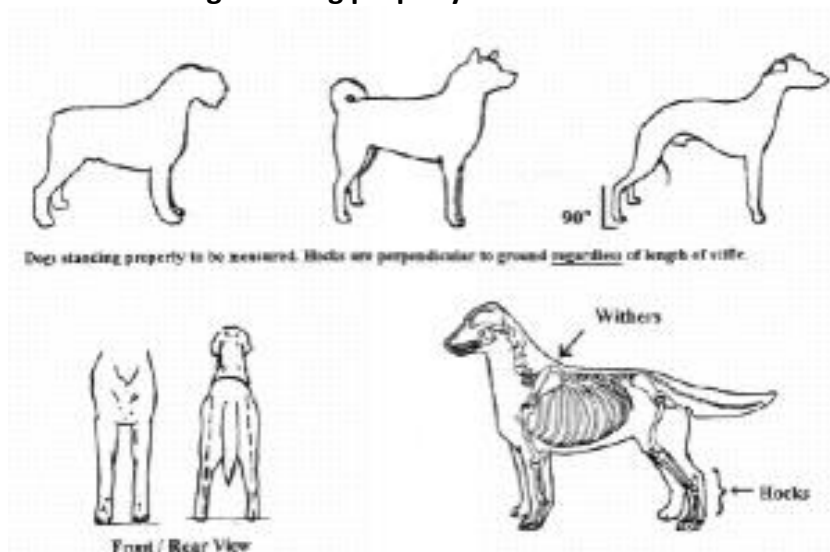
Section 6.1 – Measuring ~~(ON TRIAL CHANGES – JUNE, 2017)~~

- (a) At the discretion of the team, **height** dogs may be measured by the measuring Judge and a second official (Judge, AFA Representative or an experienced official appointed by the accredited AFA Representative) during times designated by the host club.
- (b) If the judge determines that a team is not jumping at the correct height in a round robin format, the team shall forfeit all heats run at the improper jump height. In the case of an elimination format, the team shall be excused **from the competition**.
- (c) The judge may, at any time, **conduct the first** measure of a dog **at a competition**.
- (d) Once the dog is measured, the Judge is under no obligation to remeasure the same dog in the same competition (except in some cases when the dog’s height is challenged - refer Section 6.4 below)
- (e) If a dog is **re-measured for a second time in a competition** and the measuring Judge determines **that the first measure was incorrect, a mistake has been made** the team shall **in no way not** be penalised **for heats completed in accordance with the first measure**. However, the team will be required to jump the **proper height** second measure height for any remaining heats **run with that dog as the height dog**.
- (f) Measurements are to be open to public observation, **but interference to the process is not permitted, including any distraction to the dog in the measuring judge’s opinion. Photographing or video recording of the measure shall be at the measuring judge’s discretion.**
- (g) Only one (1) handler per dog shall be allowed in the measuring area.
- (h) Aggression during measurement will not be tolerated and Section 9.3 (Aggressive Dogs) will be observed.
- ~~(i) A team’s height dog deemed to be “NOT MEASURABLE” by the measuring Judge may be excused from competition.~~
- ~~(i) Height measurements are to be recorded and signed by the measuring Judge on the official timesheet. A dogs height that has been measured and recorded by any judge shall be the dog’s~~

official jump height for that competition, regardless of which ring the dog may run in, subject to 6.4 below.

- (j) Heights are to only be recorded on an AFA Height Card Application form only where the measure has been performed using an AFA approved, standard measuring wicket, which shall be made available by the AFA to each State or Territory holding a set of AFA lights (Signature or Judges).
- (i) The measuring area will be determined by the measuring Judge. The Judge shall select an appropriate measuring surface. The measuring wicket shall be calibrated to ensure accuracy prior to measuring the first dog and any time it is moved. ~~the measuring device shall be calibrated to ensure accuracy.~~ If the Judge determines that an appropriate measuring surface or that an AFA approved measuring device is not available, measuring shall be for the competition only and not for a Height Form (see Forms).
- (j) The dog's height shall be measured from the ground to the top of withers with the dog standing in an upright position as indicated by the illustration below. The correct stance of the dog is to be verified as acceptable by the second official involved in measuring (refer 6.1 (a)). The handler may steady the dog if necessary, but shall not physically support the dog during the measuring process. The front legs will be vertical with the paws directly below the shoulders. The back legs will be positioned with the hocks perpendicular to the ground and spread no wider than the width of the dog. The dog's entire head is to be in an upright position above the level of the withers as shown in the following illustration. The dog may be measured up to 3 times. The height measurement shall go to the lowest height for the benefit of the dog.

Dog standing properly to be measured.



Section 6.2 – Height Cards (ON TRIAL CHANGES – MARCH, 2017) (ON TRIAL CHANGES – JUNE, 2017)

Height cards are optional and may be applied for by submitting a completed application form (see "Height Form" under the "Members" / "Forms" page on the AFA website) to the AFA. There are a number of requirements:

- (a) Dog must have raced for at least 12 months before its first recorded measurement;
- (b) A dog must be entered in the competition in order to have its height recorded on a Height Card Application (Form C8)

- (c) The **Height Card** form must be presented to the Judge before the dog is measured;
- (d) The form is considered complete when a dog has received the same measurement three (3) times by three (3) different Judges. Only one height card measurement may be attained per competition. **Where the dog has to be measured a second time at a competition, the measure recorded on the form shall be the second measure.** The measuring Judge must be an approved AFA Judge, but not necessarily officiating at the competition;
- ~~(b) The microchip number must have been verified at least once;~~
- (e) When the application form is completed, it must be forwarded to the AFA with an application fee (refer to Appendix F – Schedule of Fees). The form will be verified and a height card issued;
- (f) The height card must be presented at each competition, otherwise the dog is subject to normal measuring requirements;
- (g) Height cards issued by the AFA will be good for the life of the dog, **subject to 6.5**. Once a height card has been issued, additional cards for the same dog may not be applied for. Lost height cards can be replaced with an identical card (refer to Appendix F – Schedule of Fees).

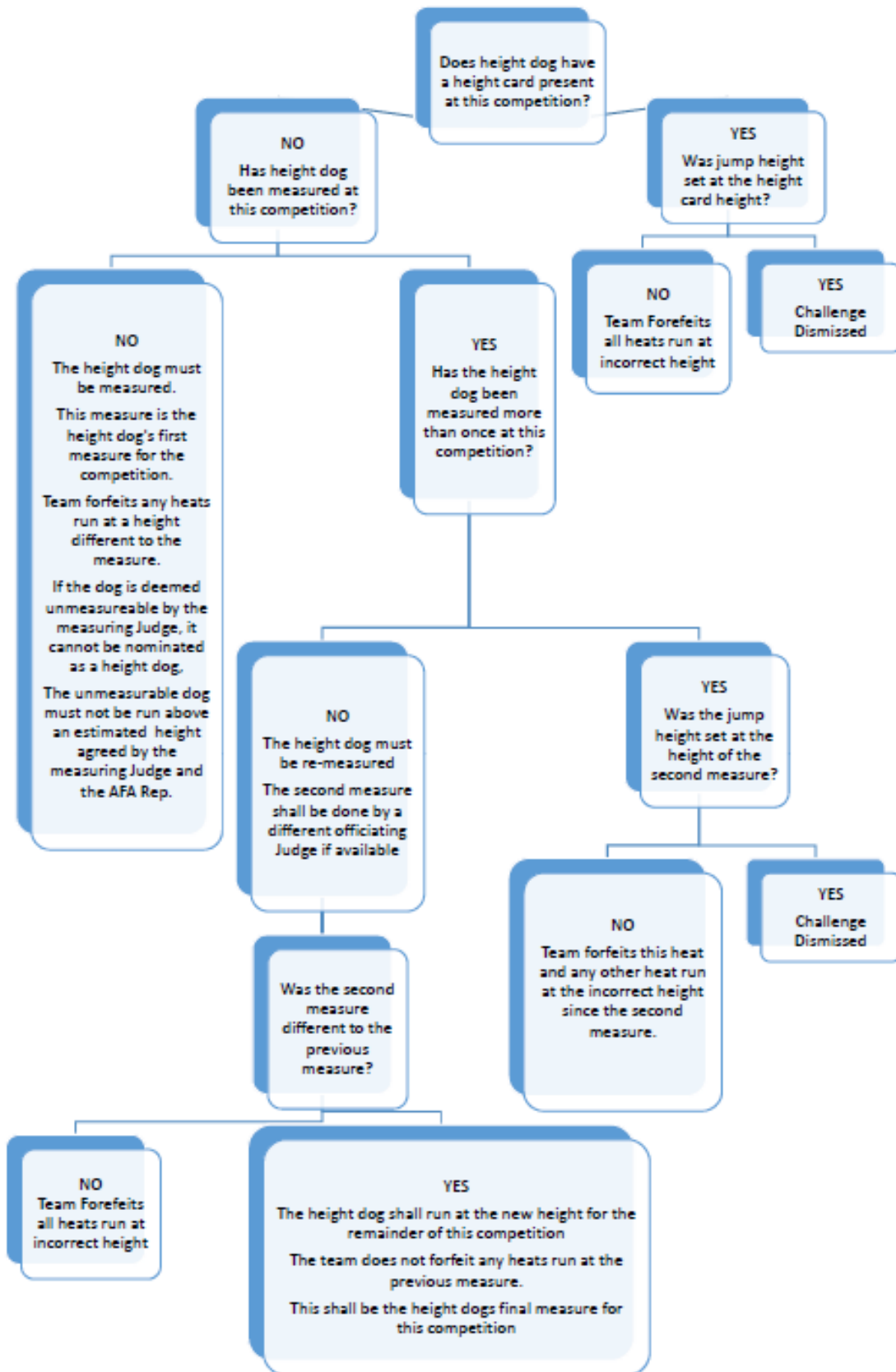
Section 6.3 – Running Heights at Competition **(ON TRIAL CHANGES – JUNE, 2017)**

- ~~(a) A Height Card must be present at a Competition in order to be taken into account at that Competition. Otherwise the dog shall be deemed not to have a height card for that Competition.~~
- (a) Where a Height Card is present for the designated Height Dog for a heat, the team shall run at the height specified on the Height Card.
- ~~(b) A Height Card that is present at a Competition may not be challenged at that competition.~~
- (b) Timesheets
 - (i) Teams entering a competition shall fill out **in the entry form** the running height for any dog less than 14” **that could be a height dog for that team. in the entry form.**
 - (ii) The Competition Organiser shall enter the height in the time sheets.
 - ~~(iii) Dogs that have not yet been measured may have “NM” (Not Measured) in the entry form and should be measured prior to the Competition.~~
 - (iii) Any dog that is to be used as a height dog **MUST** have a height marked on the timesheet. ~~does not have a height marked on the time sheet shall be deemed to be a 14” dog.~~
 - ~~(iv) Heights may be written onto time sheets at any time during a Competition.~~
 - (iv) Changes to timesheets shall be countersigned by an officiating Judge or AFA Representative.
- (c) Timekeepers who observe that a team is running a height different to the height indicated by the team’s time sheet shall bring it to the Judge’s attention as soon as possible.

Section 6.4 – Challenge to a Teams Running Height **(ON TRIAL CHANGES – JUNE 2017)**

- ~~(a) An officiating Judge or the Captain of an opposing team may challenge the running height of a team in a heat. The challenge must be made within 30 minutes of the heat in question. The outcome of the challenge depends on the circumstances. Refer to the Team Height Challenge Flowchart below:~~
- (a) A Height Card must be present at a Competition in order to be taken into account at that Competition. The Card is deemed to be present if the AFA Database can be accessed at the Competition and it demonstrates that the Card is valid. Otherwise the dog shall be deemed not to have a Height Card for that Competition.

(b) An officiating Judge or the Captain of an opposing team may challenge the running height of a team in a heat. The challenge must be made during the race of the heat in question. The outcome of the challenge depends on the circumstances. Refer to the Team Height Challenge.



Section 6.5 – Process for Challenging a Height Card

- (a) A Height Card may only be challenged in writing, in a letter signed by an accredited Judge or the Co-ordinator of an AFA affiliated Club acting on behalf of the Club, addressed to the Secretary of the AFA.
- (b) An accredited Judge may challenge no more than three Height Cards in any calendar year.
- (c) A Club may challenge no more than two Height Cards in any calendar year.
- (d) Any Height Card may not be challenged more than once in three years (36 months).
- (e) It is in everyone's interest for a challenge to a Height Card to be resolved in the shortest possible time. The original Height Card shall be considered valid until the AFA Committee has made a decision on the challenge, up to a maximum of three months (90 days) following receipt of the challenge letter. If the matter is still open after three months, the Height Card shall be suspended until the challenge is resolved.
- (f) The process to resolve the challenge is as follows:
 - (i) The AFA Secretary shall place the matter on the Agenda of the first AFA Committee meeting following receipt of the challenge letter.
 - (ii) The AFA Committee shall, at the earliest opportunity, appoint a Case Officer to manage the challenge. The Case Officer must reside within a reasonable distance of the handler and the dog so they can meet as required. It is preferred but not mandatory for the Case Officer to be drawn from the AFA Committee. Conflict of Interest shall be considered in the selection.
 - (iii) The Case Officer and the dog's Handler shall arrange for a measure of the dog to be taken at the earliest opportunity when all conditions necessary for a reliable and accurate measure can be met. This may, but is not required to, be at a Competition. The measure shall be made using an AFA approved wicket and procedure, by two Level 1 Accredited Judges, in the presence of the Handler and the Case Officer. Any other person(s) present may not, in the opinion of the judges, cause interference to the measure or distract the dog. shall be sufficiently far away to not affect the measure.
 - (iv) Photographs shall be taken of the wicket set up on the suitable surface, the dog's stance at the time of the measure, and a close-up of the scale with the arm in the position from which the final reading was taken. Numerals on the scale shall be legible.
 - (v) The result shall be written into a Height Form and signed by the Judge(s), the Case Officer and the Handler if they agree.
 - (vi) The Case Officer shall report in writing (including the photographs) to the AFA Committee and make a recommendation based on the measure reading as follows:
 - 1. If the new measure reading is the same as the existing Height Card, the recommendation shall be to dismiss the challenge. If accepted by the AFA Committee, the Height Card shall be confirmed and may not be challenged again within three years (36 months) from the date of the current challenge.
 - 2. If the new measure reading is different to the existing previous Height Card, the recommendation shall be to revoke and destroy the old Card and issue a new one for the new height. If accepted by the AFA Committee, the new Height Card may not be challenged for a period of three years (36 months) after issue.
 - (vii) The AFA Committee shall, at its earliest opportunity, consider the Case Officer's report (both written and verbal) and the records, and vote to accept, reject or amend any recommendation. This may be at a meeting or via online circulation, discussion and approval.

- (g) Disputes. If the two Level 1 Judges, the Case Officer and the Handler cannot agree on a reading on the day, they shall agree to meet at another opportunity to repeat the measure. If they cannot agree at the second opportunity, the Case Officer shall report the matter to the AFA Committee for consideration and any further action.

Chapter 7 –FORFEIT RULES

(a) Reporting for Races.

- (i) Teams are required to promptly report for all races.
- (ii) In the event that a team member is delayed with just cause (e.g. involved in another ring, involved in the prior race) the Team Captain (or other representative) shall advise the Judge before reporting for the race. The Judge shall make any decision as to what constitutes just cause under these Rules and may delay the race start or reschedule the race.
- (iii) If one or more team members are more than three (3) minutes late for a race without just cause and all else being in readiness, the Judge may declare that the Team has forfeited the first heat and start the first heat. The team present and ready shall run the first heat without opponent. All normal rules of racing shall apply.
- (iv) If the team has not reported by the time all is ready for the second heat, it shall also be run without opponent, and so on until the required number of heats has been completed for the race to be won. If the team reports during the race, they shall race in the first heat that is started after they report.

(b) Teams that forfeit all heats in a race without just cause

- (i) Forfeiting teams that do not show just cause will be excused from the competition by the Judge and may be subject to further discipline.
- (ii) Teams scheduled to race a team that has been excused shall race (without opponent) until the required number of heats has been completed for the race to be won.

(c) Teams that forfeit with just cause.

- (i) Teams wishing to claim Forfeit with just cause must advise the Judge of their reason for claiming just cause to forfeit. Such causes must be outside the reasonable control of the Team and its members (examples: 4 dog team where a dog has been given a red card and must sit out 3 heats- team could claim just cause for the 3 heats in question; 4 dog team with one dog temporarily injured – ant bite or like- team could ask to forfeit one race till dog recovers.
- (ii) Where a Judge agrees just cause exists for temporary forfeit the team will be excused from competitive racing, but the available members of the team must run against the opposing team on a non-competitive basis. The opposing team gains one point if it completes a clean run with 4 dogs and one point for the win.
- (iii) The maximum number of heats where a just cause ruling can apply is 5 heats. If a team cannot return to competitive racing after 5 scheduled heats it must be declared non-competitive for the remainder of the competition.

- (d) If a team has to forfeit when their "A" and "B" teams are in the same race, the faster team must run and the slower team must forfeit. If the faster team wishes to forfeit they will forfeit for the rest of the competition.

(e) Non-Competitive teams.

- (i) In circumstances where the team cannot continue to compete with 4 dogs it shall be declared “non-competitive” for the remainder of the competition.
- (ii) From that point onward the team cannot gain competition points or AFA Title points.
- (iii) Teams scheduled to race a team that has been declared non-competitive shall race until the required number of heats has been completed for the race to be won in order to gain AFA Title points.

The competitive team:

- may elect to run without opponent or with the non-competitive team,
- shall run under normal Rules of Competition.

- (iv) Once a team is declared non-competitive they will be ineligible for placement and shall be placed in the lowest seed in any elimination.
- (v) A non-competitive team is subject to all Rules of Competition with the exception of the following:
 - 1. 3 or 4 dogs may be run in a heat;
 - 2. False starts are not in effect for this team (Note: the EJS shall be set up with a false start for this team prior to each heat starting to ensure the competitive team has a recorded time);
 - 3. Any jump height between 7” and 14” is allowed, except that it shall not exceed the jump height of any dog in the team;
 - 4. If a team dog receives a flag it may complete its run but cannot rerun;
 - 5. The Judge may excuse the team from the race for failure to comply with these conditions or other AFA Rules.

(f) Forfeit for Infringement of the Rules of Competition.

A team will forfeit a heat in which any of the following infringements apply:

- (i) Second or subsequent incident of “distraction” during a race (refer 9.2 (k))
- (ii) Second malfunction of box during a race or claimed malfunction not agreed by Judge or malfunction with no replacement box available (refer 9.2 (d))
- (iii) Box loader infringement (refer 9.2 (h))
- (iv) Second time handler enters ring not displaying CRN (refer 5 (h))
- (v) Training in the ring except for practice run period or approved re run after interference (refer 8 (c))
- (vi) Team jumping incorrect height in a round robin competition format (in this case the team forfeits all heats run at the improper jump height (refer 6.1 (b))
- (vii) If a dog fouls (relieves) itself in the ring at any time from prior to the first heat (during warm up period) until the last heat of the race has been declared by the Judge.
- (viii) Sandbagging. Note: this applies to the entire race (refer 9.5).

In all of the above heat forfeit situations except box malfunction (ii) above) both teams (if present) shall run or complete the heat. The forfeiting team cannot win or receive title points. All other Rules of Competition apply. For Item (ii) Second box malfunction or no fault found with box, the unaffected team shall be awarded one title point for each run so affected except where they have completed their run before the heat was stopped. In this case they shall be awarded points in accordance with the Rules of Competition.

(g) Forfeit for Break-out

- (i) When the first breakout occurs, the time is recorded on the timesheet with B/O circled and the heat is awarded to the team that did not break out. The breakout team can gain

one point if a clean run (4 dogs) and the opposing team gains one title point if a clean run (4 dogs) and one title point for the win. If the opposing team has not completed a clean run it gains no title points.

- (ii) This is the same for the next two breakouts by the same team.
 - (iii) After the third breakout, the team forfeits the right to place in the competition but does not forfeit the right to gain an AFA title point if they complete a clean heat with 4 dogs. A team that has broken out three times in a competition can only win a maximum of one title point per heat completed cleanly with 4 dogs in the following heats. The breakout team is unable to win any further heats during this competition.
 - (iv) If the opposing team finishes the heat they will be awarded one title point for a clean run (4 dogs) and an additional title point for a win. If the team does not have a clean run with 4 dogs they gain no AFA points for that heat.
 - (v) Where a team breaks out and is eliminated from a round robin competition all teams racing the breakout team (before and after the breakout) will be awarded competition points for wins or ties against the breakout team.
 - (vi) A team that has already broken out three times in a preceding round robin format cannot race in either single or double elimination racing to decide the placing of the competition.
- (h) A forfeiting team that is required to race is subject to all Rules of Racing except for the following:
- (i) False starts are not in effect, i.e. no re-start and no re-run.
 - (ii) Any dog that receives a flag may complete its run but may not rerun.

The opposing team is subject to all the Rules of Racing.

Chapter 8 – PRACTICE RUNS

- (a) There shall be a designated time period for warm-ups.
- (b) There shall be no practice or training in the ring for the duration of the competition except for the practice runs as permitted just prior to each race. Individuals may work with the Flyball box or on jumps outside the ring provided it does not distract other teams.
- (c) Training in the ring during the competition will mean a forfeit of that heat. When a team is delayed by a ring conflict, warm-ups shall not begin until both teams are present in the ring. Teams already present and waiting may set their jumps and place their box.
- (d) Only dogs listed on the team's timesheet are allowed to warm up. Each dog must have a valid CRN and be eligible to compete. Any dog(s) that warm up in violation of this rule will cause the forfeiture of all AFA title points earned during the competition for all dogs on the timesheet. The team with the dog that violated this rule will also forfeit any competition placement.
- (e) Flat collars and harnesses are the only acceptable type of collar.
- (f) Where in the opinion of the Judge a dog's racing ability has been or may have been affected by the actions of another dog or handler by the way of interference, aggression, distraction or abuse, that dog may use the racing lane to practice after the incident for a period of time at the Judge's discretion and shall not be deemed as training in the ring after commencement of racing.

Chapter 9 – RULES OF RACING

(See also Section 1.4 Seed Times and Break Out Penalties)

Section 9.1 – Jump Heights

- (a) Jump heights shall be set at a 127mm (5 inches) lower than the height at the withers of the smallest dog on the team running in that heat, to a minimum of 177.8 mm (7 inches) Maximum jump height shall be 355.6mm (14 inches) ;
- (b) Jump heights shall be adjusted in 25.4 mm (1 inch) increments, to the lowest whole number (11 and 3/4 inches becomes 11 inches).

Section 9.2 – The Race

Each race consists of three, best three out of five or five heats which make one race.

(a) The start:

Dogs may start from a stationary or running start. When using a manual start (Judge's whistle), if any part of the dog's body, whether in the air or on the ground, or any part of the handler's body or their objects are over the line before the whistle is blown, will be an infraction, to be called by line steward or Judge. When electronic starting lights are used, any part of the dog or handler's body or their objects breaking the beam before the start will constitute a false start and will be called by the EJS and Judge. The heat is to be restarted. If a second such infraction is called against the same team (for that heat) the dog must run again. If a second false start is called coincidental with the opposing teams first false start the heat is to be restarted.

(b) The run:

Dogs may start from a stationary or running start. Each dog is to cross the start-finish line between the start gates, hurdle all four (4) jumps, trigger the box, retrieve the ball from the box, return over all 4 jumps, and cross the start-finish line between the start gates with the ball in its mouth. Only when the first dog has reached the start/finish line with any part of its body (on the ground or in the air), may the second dog reach the start/finish line with any part of its body (generally this is a nose to nose pass at the start/finish line), and so on for all four (4) dogs as well as dogs that must run again. Infringements requiring a dog to rerun are defined in Clause 9.2(n) of Rules.

(c) Knocked down jumps:

A dog that knocks down a jump(s) during its run shall not be penalised, provided the dog(s) clear the jump as if it were standing. A "runner" or handler may set up knocked down jump(s) providing doing so does not interfere with or guide the dog in any way.

(d) Box Malfunction:

The box loader shall indicate to the box steward and Judge when there is a box malfunction by standing in front of the box and waving their arms.

- (i) If a heat is in progress it shall be stopped. The Judge is to examine the box. If, in the opinion of the Judge, the box has malfunctioned the heat shall be run again. If the box is found to be working then the heat shall be forfeited. If another box is not available and the box cannot be repaired in a reasonable time, the heat and any remaining heats are to be forfeited. If the box malfunctions a second time (or the spare box malfunctions) in the same race, the heat shall be forfeited and all remaining heats in that race shall be forfeited.

- (ii) If a heat is not in progress, the Judge is to examine the box. If in the opinion of the Judge, the box has malfunctioned, the team may replace it without penalty. If another box is not available and the box cannot be repaired in a reasonable time, any remaining heats shall be forfeited. If the box malfunctions a second time (or the spare box malfunctions) in the same race, the heat shall be forfeited and all remaining heats in that race shall be forfeited.

This rule is active from prior to the first heat (during the warm up period) until the last heat of the race has been declared by the Judge.

(e) Intervention:

Should the ball bounce back in the cup as the dog tries to catch it, the box loader may re-set the box for the dog to trigger it (without penalty). This is the only time at which the box loader is permitted to signal a dog to push the pedal.

(f) Fouling:

If a dog fouls (relieves itself) in the racing ring at any time from prior to the first heat (during warm up period) until the last heat of the race has been declared by the Judge, the dog's team forfeits the next heat. Both teams shall run or complete a heat if in progress. The forfeiting team cannot win or receive title points. All other Rules of Competition apply.

(g) Out of bounds/Out of play:

The host club shall specify the race area boundaries. If a ball bounces out of bounds and the dog retrieves the ball unaided, there shall be no penalty. If the dog is aided by a spectator, handler, box loader or other, the dog is to run again. Out of play shall be the same as if the ball were out of bounds.(For example; if the ball becomes lodged or trapped inside the box).

(h) Conduct of the box loader:

Except during the warm up, to retrieve a loose ball or get a fresh supply of balls to load for the current heat, the box loader must remain in the upright position behind the box until the Judge determines the outcome of the heat. The box loader may only offer verbal encouragement to a team dog, as long as such encouragement does not distract the opposing team. If a box loader assists a dog, except where provided for in the Rules, the dog shall run again .Box loader conduct that causes distraction to the opposing team shall be dealt with under Section 9.2(k) – Distractions.

(i) Interference:

Where a dog or any team member Interferes with a dog or team member of the opposing team within the ring at any time from prior to the first heat (during warm up period) until the last heat of the race has been declared by the Judge, the team causing the Interference will forfeit a heat in the following way:

- (i) If a heat is in progress at the time of the Interference, the Judge shall stop the heat and award the win to the non-offending team. The non-offending team gets one bonus title point for the win and no points for completion.
- (ii) If a heat is not in progress at the time of the Interference both teams shall run the subsequent heat. The forfeiting team cannot win or receive title points. All other Rules of Competition apply. .

In addition, the Judge shall issue a Yellow, Red or Black card (as appropriate) to the offending dog or member. Refer to 9.2(r) and Section 2.7 Definitions.

Notes and exceptions:

- (i) A team is unable to cause interference against itself.
- (ii) A judge shall restart a heat if, in the opinion of the judge, the interference was directly caused by a dog chasing its own ball, except that if the other team has already finished they will be awarded the win and the other team a DNF.
- (iii) A Team Captain may approach the Timing Table before first heat and between heats with the Judge's permission
- (iv) These provisions cover Interference in the Racing lanes and in all Runoff and Inbound areas.

The definition of interference is crossing the centre line and becoming a safety hazard to the dogs racing in the other lane OR in any way obstructing the other team from running its race. (An example of obstruction interference would be when "Team A" and "Team B" were racing a ball from "Team B" rolled across to the edge of "Team A's" lane next to a jump. Two dogs from "Team A" ran by the ball without incident. The third dog however, stopped and picked up the ball. This is interference on "Team B" because the ball was from their lane. Even though the first two dogs ran past the ball, the ball was not supposed to be there and by its presence it prevented "Team A" from completing its run).

(j) The finish:

The first team to have all four (4) dogs successfully complete a run wins the heat. The finish shall be when the last of the four (4) dogs reaches the finish line with any part of its body, in the air or on the ground.

(k) Distractions:

Team members shall not distract the opposing team by bouncing balls, using a flyball box at the end of the run, or by any other means nor by throwing any object for their dogs (i.e. balls, toys, Frisbees, dummies, gloves or treats). Team members are required to pick up loose balls. The first offence of any of these infractions shall receive a warning. A second offence or any offence thereafter during the race will result in the loss of the heat. This Rule is active from prior to the first heat (during the warm up period) until the last heat of the race has been declared by the Judge.

(l) Broken boards:

The heat shall not be stopped for broken boards, unless, in the opinion of the Judge, the dog(s) may be subject to injury. If the heat is stopped by the Judge to prevent a possible injury, the heat is to be restarted.

(m) Safety Hazards:

If, in the opinion of the judge, a safety hazard exists during the running of the heat, the heat shall be stopped and restarted.

(n) Fouls:

Dogs that receive a foul must be rerun after the initial four dogs in the order they were fouled. Racing infractions requiring the rerunning of a dog include:

- (i) Early passes as indicated by the EJS and the Line Steward and/or the judge. When running without an EJS system, the line steward will indicate an infraction;
- (ii) Missed jumps;
- (iii) Not carrying the ball over each jump in succession;
- (iv) Does not trigger the box;
- (v) Dog takes the ball from the cup without first triggering the box;

- (vi) Does not carry the ball over the start/finish line;
- (vii) Does not cross the start /finish line between the start gates;
- (viii) Inappropriately assisted by the box loader, spectator or handler;
- (ix) A handler or their object crosses the start/finish line during the dog's run (with the exception of resetting knocked down jump(s) or retrieving loose ball(s)).
- (x) Dog running out of required rerun order.

(o) Winner: Determining the winner of a heat

- (i) When a heat is judged using the Electronic Judging System, the winner of close heats shall be determined based on the Electronic Judging System times. When the difference between the times is equal to or less than .003 of a second (for example, a time of 21.798 versus 21.801) the Judge shall declare the heat to be a tie;
- (ii) When a heat is judged to be a tie with manual judging (in the absence or failure of the Electronic Judging System), the Judge shall confer with the line stewards and their decision as to the winner of the heat must be unanimous and shall be based on their visual view of the finish line, not on the stopwatches. If the Line stewards are not in agreement, the Judge shall declare a winner or declare the heat to be a tie.

(p) Determining the winner of an Elimination race format:

In the event that each team competing in an elimination race win an equal number of heats (due to dead heats or double DNF) an extra heat shall be run to determine the race winner.

(q) Determining the winner of a race:

The Team that wins the majority of heats of a race will be determined to be the winner of that race. In the event that both teams record DNF's for the same heat, the winner of the race will be the team that wins the majority of the heats for that race. In the event that both teams win an equal number of heats the race will be declared to be a tie (for example both teams have a DNF and then win an equal number of heats each)."

(r) Determining the winner of a Round Robin competition:

The following competition points are awarded for each round robin race:

- (i) 2 points to the winning team;
- (ii) 1 point for each team for tied races;
- (iii) 0 points to the losing team. The team with the highest points at the end of the competition is the winner. In the event that two or more teams have the same number of competition points one of the following tie breakers are to be used:
 - a. a head to head run off between the teams with best two out of three heat format (where more than two teams are involved each must race the other with Competition points recorded for each result)
 - OR
 - b. Count back based first on head to head RACE wins during competition (where more than two teams are tied the count back for each team shall be the total RACE wins scored against all of the teams that are tied (the combined number of wins)); if two teams are still even the teams are compared on head to head heats; if two teams are still even - then fastest heat time head to head decides the winner. Competition organisers must state which option is to apply in Competition Schedule and announce this at start of Competition.

(s) Signal Cards

Yellow, red or black cards will be used by Judges to indicate particular offences as follows (all offences will be noted on member's or dog's record):

Yellow card:

Indicates a formal "caution" for any of the following offences:

- (i) Not being courteous and friendly in manner.
- (ii) Purposely delaying the restart of a heat.
- (iii) For showing displeasure with a dog, a Judge, Stewards, AFA representative, host club, sponsor, other AFA member or spectator whilst in the ring. This includes showing dissent by words or actions.
- (iv) Demonstration of poor sportsmanship
- (v) For entering the ring to set up for a new race before the Judge has declared the previous race.
- (vi) First offence for interference.

Judges should:

Hold up a Yellow playing card-sized card (preferably laminated) to signal an offence. Describe the specific offence to the AFA Member and Team Captain. Fill in the Judges Report Form and forward to AFA within 48 hours.

Red card:

Indicates to an AFA member that they or their dog are to be "Sent Off" for 3 heats for any of the following offences:

- (i) Any behaviour or altercation that would leave a spectator or exhibitor with an unfavourable opinion of the sport of flyball.
- (ii) Mistreatment of a dog. (Includes any unreasonable treatment short of violence that causes dog to display obvious and sustained distress);
- (iii) Abuse (including abusive or foul language) directed at another competitor, official or spectator.
- (iv) Demonstration of dissatisfaction with a Judge's decision. This includes approaching stewards or timekeepers to question them about the decision.
- (v) A Red Card will also represent a second incident of any offence listed under yellow card.

Judges should:

Hold up a Red playing card-sized card (preferably laminated) to signal an offence. Describe the specific offence to the AFA Member and Team Captain.

Fill in the Judges Report Form and forward to AFA within 48 hours.

AFA Members must:

Comply with Judges' instructions to immediately exit the racing ring for the next 3 heats, regardless of racing order.

Black Card:

Indicates to the AFA Member that they or their dog is to be excused from the remainder of the competition for any of the following offences:

- (i) Wilful violation of the rules with the intent to gain an unfair advantage.

- (ii) Aggression whether it be between dogs or handlers. It will also include a dog that is suspected of aggression.
- (iii) Inhumane treatment of a dog (includes racing a dog under 12 months of age). Whilst carding for racing a dog under 12 months of age is a penalty against the handler the dog will be dismissed from the competition and all heats run with the dog will be forfeited
- (iv) A black card is also used for a third incident of any offence listed under the yellow card and a second incident under the red card.

Judges should:

Hold up a Black playing card-sized card (preferably laminated) to signal an offence. Describe the specific offence to the AFA Member and Team Captain.

Advise the member that he/ she or their dog is "Excused for the remainder of the Competition or Demonstration" and that the offence will be reported to the AFA Committee for consideration. Fill in the Judges Report Form and forward to AFA within 48 hours.

AFA Members must:

Comply with Judges' instructions to immediately exit the racing ring for the remainder of the Competition or Demonstration.

Black Card offences for member misbehaviour are serious offences that could result in disciplinary action under the AFA Constitution. Black Card offences for Dog Aggression will result in the dog being automatically excluded from competition racing until the AFA Committee has made a decision about disciplinary action.

Section 9.3 – Aggressive Dogs

If a dog shows aggression towards another dog or handler, at any time during the competition, the Judge within the ring or the AFA Representative outside the ring (see Rule 10.4 (c)) may excuse the dog from competing. The degree of aggression that warrants exclusion is to be determined by the Judge or AFA Representative. The Judge or AFA Representative must report any dog excused from competition to the AFA within 48 hours for their adjudication, which could result in suspension.

Section 9.4 – Lamé Dogs, Bitches in Season, Dogs Recovering from Surgery, Leg Wrapping

Wrap on dog's legs may be used with the prior approval of the Judge. If, in the opinion of the Judge, a dog is lame, in season, recovering from surgery, obese or for a related reason should not compete; the same shall be excused from competition.

The taping of dogs on the body beyond the use of wrap on a dog's legs is not permitted.

Section 9.5 – Sandbagging

- (a) If a Judge suspects a team of sandbagging (e.g. they have had a breakout and their starts or crosses suddenly become very sloppy), the Judge shall discuss his/her concerns with the team captain.
- (b) The Judge shall request the attendance of two other officials (such as other Judges and/or the AFA Representative) as Observers for the team's performance at all later heats.

- (c) If the Judge and the Observers all agree that sandbagging has taken place in a later heat, the Judge shall award the entire current race to the non-offending team. This shall be done by reversing the result of any heats in the current race that were won by the offending team and awarding them to the non-offending team. Remaining heats in the race shall be run as per the racing schedule. The offending team shall run in these additional heats under the conditions of Rule 7 (f). This sanction does not extend past the current race.
- (d) If the Judge and the Observers all agree that sandbagging has taken place a further time (which could be a later heat in the same race as c. above), the team shall be excused from the competition by the Judge in the ring and the AFA Representative, and may not place in the competition.

NOTES:

- This is not a Black Card on the handler(s) or dog(s) in the team, which means that the handlers may continue to run dogs in other teams in this competition, and the dogs do not have to appear before the Incidents Subcommittee before entering any future competitions.
- For the current competition, the results of all races prior to the team being excused shall stand, and all remaining races involving this team shall be run by the opposing team without opponent until the race is decided.
- All officials involved in the decision to excuse the team shall sign the Incident Report, which shall be forwarded to the AFA in the usual way.

Chapter 10 – JUDGES, STEWARDS and AFA REP (ON TRIAL CHANGES – NOVEMBER, 2016)

Section 10.1 – Judges

- (a) One (1) Judge, four (4) ~~five (5)~~ stewards and two (2) timekeepers shall officiate when two teams are running.
- (b) Two (2) line stewards shall be positioned (sitting) at each team's starting line, facing each other; two (2) box stewards are to be located at the box end, with a good view of the box loader, but not positioned (sitting) so as to interfere with or distract the dog; ~~one (1) inbound steward shall be positioned (sitting) in the middle at the rear of the ring in the inbound area;~~ two (2) timekeepers shall be positioned at the timekeeping table and the Judge shall also act as starter and referee.
- (c) The box stewards, line stewards, ~~inbound steward~~ and timekeepers shall remain stationary during each heat; Dogs may go around stewards and balls bouncing off a Judge, Steward or Timekeeper shall be deemed in play. The principle responsibility of each box steward, each line steward, ~~inbound steward~~ and each timekeeper is to watch for violations in the racing lanes that they are assigned to and signal violation to Judge. Stewards, Timekeepers and Judges must not offer verbal encouragement to teams.

- (d) The Judge (starter and referee) shall be positioned between the racing lanes in the area between start/finish line and the starting dogs to start the heat. During the heat the Judge should be in a position to observe the handlers for any violations. Finally, if necessary, the Judge (starter and referee) should be in a position to assist the line stewards in determining winners of close heats. The Judge should always confer with the line stewards, the box stewards, the inbound steward and timekeepers before determining a winner. If necessary, a Judge shall reposition himself/herself in such a manner as not to distract the dogs competing. The Judge shall maintain a consistent starting cadence of approximately one (1) second intervals throughout the competition.
- (e) All Judges should have a clear understanding of the rules and shall be impartial.
- (f) Stewards shall indicate with a signal, which dogs must rerun. It is the handler's responsibility to note the signal and rerun his/her dog. If it is necessary to stop a heat, the Judge shall use a whistle.
- (g) Persons interested in becoming an approved AFA Judge must complete successfully the Provisional Judges training program.
- (h) The minimum age for Judges and Timekeepers is eighteen (18) years of age.

Section 10.2 – Judges Guidelines

- (a) Judges shall be friendly and courteous, even sympathetic, but above all impartial and firm. Judges must have a thorough understanding of the AFA Rules and Policies and the sport of flyball gained through personal experience.
- (b) The Judge's responsibility also extends to the exhibitors, to the host club or organisation, to the spectators and sponsors. A Judge must be arbiter and diplomat. A Judge must leave exhibitors and spectators with the feeling that each team was given an equal opportunity and no team was given an unfair advantage.
- (c) A Judge is not to engage in conversation with a disgruntled exhibitor. The Judge may excuse any person for breach of the Code of Ethics.
- (d) Upon arriving at the site, a Judge shall immediately report to the competition organiser. A Judge shall be at their ring at least one half hour before the competition to check the ring, jumps, matting and backstops. If dogs are to be measured and boxes inspected before the competition, the Judge shall allow additional time as directed by the competition organiser.
- (e) The rules and policies are a basic guide. They should not be considered a manual containing explicit direction for every possible situation. Judgment calls should be based on the experience, good character, fairness and consistency of the Judge. The intelligent application of discretionary authority demands a Judge exercise common sense, fairness and initiative. Above all else, the safety and welfare of the dogs and exhibitors shall be foremost.
- (f) Judges shall not assist teams during warm ups.

Section 10.3 – Judges, Timekeeper and Stewards Duties

Judges Shall:

- (a) Prior to the scheduled time for competition, the Judge shall inspect the ring. It must meet all the requirements of the AFA Rules and Policies.
 - (i) The start/finish & centre line shall be clearly marked.
 - (ii) Jump placement, jump heights. A deviation of 6.35mm (1/4 inch) on the jump heights is considered minor and acceptable.
 - (iii) Backstops, barriers and box location shall be measured to make sure they meet the requirements of the Rules.

- (iv) Each box may be inspected by an officiating Judge and shall not be allowed if, in the opinion of the Judge, the box has been constructed or altered in a manner that does not meet the box requirements outlined in the Rules.
- (b) Dogs that require measuring must be measured by the Judge prior to the start of the competition as per Section 6.1.
- (c) The Judge shall stop the heat for interference, or aggression by a dog or handler and award that heat to the opposing team. The Judge shall also stop the heat for the first false start for which the heat is restarted.

Judges Reporting Policy:

The Judge or AFA representative must report to the AFA within 48 hours, any dog or handler who is carded or excused from a competition or demonstration. Prior approval may be sought from the AFA Secretary to extend this time if reporting is not possible within 48 hours. All incidents must be entered on the Judges Report Form. All Witness statements will only be admissible as evidence to the AFA on a Witness Declaration Form (available from the AFA Representative).

- (d) Timekeepers shall:
 - (i) Record which dogs participate in every heat using the Competition Timesheet;
 - (ii) Operate the console of the electronic timing system (Signature System) for the duration of each heat including entering breakout and handicap times where appropriate.
 - (iii) Record any violations on the team's timesheet as per the Judge's instructions.
 - (iv) Record the time for each heat on the timesheet , to 3 decimal places for a timing system time , or 2 decimal places for a manual time. (v) Check for breakouts and notify the Judge if a team has run a breakout time.
 - (v) Mark when a manual time has been used due to system failure.
 - (vi) When manual timing is used the timekeepers will become the backup to the Line Stewards in advising the Judge of the race result.
- (e) Line Stewards shall:
 - (i) Signal with a flag when their assigned lane has fouled ie; when a dog misses a jump, a dog does not carry the ball across the start/finish line in its mouth, a dog does not trigger the box, a dog fouls in the ring, if a handler crosses the start/finish line during a heat (other than to set up a knocked down jump or to retrieve a loose ball) or other rule violations for which a dog must run again.
 - (ii) Confer with the Judge following each heat to determine the winning team.
 - (iii) When manual timing is used instead of the electronic system the line steward becomes the main timer and is required to raise their flags for false starts, illegal passes in their assigned lane. They will also watch for close finishes.
- (f) Box Stewards Shall:
 - (i) Check that the box is not set before the line.
 - (ii) Observe that the box loader or spectators do not assist the dog racing.
 - (iii) Signal to the Judge for a box malfunction (box loader to indicate to the box steward if the box malfunctioned).
 - (iv) Signal by raising their flag when a dog fouls in the ring, misses a jump, a dog does not trigger the box, or the box loader or spectator assists the dog in any manner that is not provided for in the Rules and Policies (see section 9.2 (h) conduct of a Box Loader).

~~(g) Inbound Steward shall watch for:~~
~~(i) Throwing of motivators or balls.~~
~~(ii) Other distraction incidents.~~
~~(iii) Aggressive incidents involving dogs and/or handlers.~~
~~(iv) Incidents of Interference or crossing.~~
~~(v) Handler indiscretions~~
~~(vi) Fouling in the ring~~
~~and inform the Judge at the end of each heat if any of the above violations occurred.~~

(g) AFA members shall attempt to avoid stewarding when their own club or team is racing.

(h) Junior members are allowed to participate in AFA sanctioned competitions and demonstrations as handlers, ball shaggers or box loaders provided they are under the supervision of an AFA member who is their parent or nominated guardian and the Judge is satisfied that they are in control and not a safety risk.

~~(i) Juniors holding a basic stewards ticket may act as inbound stewards and box stewards from the age of 12 (Supervised) or 16 (unsupervised). Juniors holding a full stewards ticket may act and as line stewards from the age of 14 (supervised) or 16 (unsupervised). Juniors holding a timekeepers ticket may act as timekeepers from the age of 16 (supervised) or 18 (unsupervised), when they become adult members. Juniors wishing to steward must wear their badge (preferred) and/or have their certificate at the competition.~~

Section 10.4 – AFA Representative Duties

(a) As an AFA Representative you typify the sport of Flyball and at all times you must promote co-operation and good sportsmanship in the training and exhibition of dogs, You must be familiar with the AFA Rules, Policies and Guidelines and should be impartial and firm, yet courteous and friendly. You must have the safety and welfare of dogs and handlers at the forefront of all decisions.

(b) The prime duty of the AFA Representative at an AFA sanctioned events is to act as mediator and to diffuse heated situations. The AFA Representative shall mediate on any disputes or queries arising at the event. If the AFA Representative finds they are in a conflict of interest situation (say a dispute involving the Representatives own team) then they should seek to involve an appropriate independent mediator The AFA representative has no power to overrule a Judges decision in the ring, excepting for reasons of safety of dogs and handlers. The AFA Representative shall report to the AFA Secretary within 48 hours on any incidents where he or she was called upon to act as mediator and where follow up action by the AFA may be required.

(c) The AFA Representative is the official who has responsibility for investigating and ruling on any incidents that occur outside of the flyball ring. Incidents within the flyball ring are the responsibility of the presiding judge. Incidents outside the ring are the responsibility of the AFA Representative. Whilst each may consult with the other the final responsibility rests with the presiding Judge inside the ring and the AFA Representative outside the ring. Any witnessed incidents of dog aggression or member behaviour in breach of Rules outside of the ring are to be brought to the attention of the AFA Representative for their consideration as to appropriate action. The AFA Representative has the power to excuse a dog or member from taking any further part in a competition or demonstration for reported behaviour outside the ring should he/she consider the circumstances warranted that action. All such incidents should be

reported in writing to the AFA Secretary within 48 hours so that they can be referred to and dealt with by the appropriate AFA Sub Committee.

- (d) The AFA Representative shall supply, witness and receive any Witness Declaration Forms from witnesses to any Incident and shall forward same to the AFA Secretary within 48 hours.
- (e) The AFA Representative shall check timesheets, before presentations are made, for calculation of competition points, each teams fastest time and the placings for the competition and shall sign each timesheet after checking.
- (f) The AFA Representative and the supervising Judge shall sign off on Provisional Judges training sheets.

Chapter 11 FLYBALL TITLES

Section 11.1 – Titles – Title Points System

Teams racing in an AFA sanctioned competition will receive 1 point towards their flyball title for each dog racing in that heat when all four dogs complete the heat correctly without requiring any reruns. If that team wins the heat each dog running will receive another 1 point towards their Flyball title.

Upon application and payment of specified fee :

- (a) AFA will award a certificate of achievement and title “Flyball Dog” (FD) to any dog receiving 5 points.
- (b) AFA will award a certificate of achievement and title “Flyball Dog Excellent” (FDX) to any dog receiving 20 points.
- (c) AFA will award a certificate of achievement and title “Flyball Dog Champion” (FDCh) to any dog receiving 50 points.
- (d) AFA will award a certificate of achievement and title “Australian Flyball Champion” (AFCh) to any dog receiving 150 points.
- (e) AFA will award a “Flyball Master” (FM) certificate of achievement and title to any dog achieving 400 points.
- (f) AFA will award a “Flyball Master Excellent” (FMX) certificate of achievement and Title for any dog receiving 700 points.
- (g) AFA will award a “Flyball Master Champion” (FMCh) certificate of achievement and title for any dog receiving 1000 points.
- (h) AFA will award the “Onyx” certificate of achievement and title , named after its first recipient, for any dog receiving 1300 points.
- (i) AFA will award a “Flyball Dog Grand Champion” (FDGCh) Certificate of achievement and title for any dog receiving 2000 points.
- (j) AFA will award a “JEDDAH AWARD” certificate of achievement and title for any dog receiving 3000 points.
- (k) AFA will award a “ EZRI AWARD” certificate of achievement and title for any dog receiving 4000 points

Title Pins and plaques are also available for higher level titles (see “Title Application Form” under the “Members” / “Forms” page on the AFA Website).

Section 11.2 – Annual Awards

(a) Flyball Team of the Year

Awarded to the team who, with four (4) dogs, has accumulated the most Flyball points from 1 July - 30 June.

When calculating only points accumulated whilst racing for a specific team will count. A dog's points may only be used in one (1) team, the one in which the highest points are earned, per year.

e.g. Dog 00016B, total points earned in year 683

Break down of points earned for Flyball Team of the Year.

Buccaneers, points earned whilst racing for this team 501

Extrabuccs, points earned whilst racing for this team 182

Only the 501 points will be taken into account for the Buccaneers team.

(b) AFA Special Award - Flyball Club of the Year

This award is presented by the AFA as a thank you to the team or club who have contributed the most to the sport of Flyball during the year, 1 July - 30 June.

This is calculated by:

- (i) The number of competitions hosted - 25 points per full day of competition;
- (ii) The number of competitions entered:
- (iii) First team entered - 10 points;
- (iv) Subsequent teams entered - 2 points per team
- (v) The number of qualified Judges within the club 10 points per Judge
- (vi) The number of ticketed Stewards – 3 points per steward
- (vii) The number of ticketed Timekeepers – 5 points per timekeeper
- (viii) The number of Committee members within the Club – 10 points per member

(c) Novice Flyball Club of the Year

This award is presented to a Club that first competed in the 15 months before end of year. The same criteria as Club of the Year is used to determine winner.

Chapter 12 RULE CHANGES

Section 12.1 – Motions

Motions to change the AFA Rules (as contained in Chapters 1 to 13 of Rule Book) may be presented in writing to and from the AFA Committee. Final decision on any proposed Rule change shall be by ballot of members, by simple majority of respondents. Rule clarifications or minor editorial changes to Rules or changes to “Guidelines” require majority decision of Committee.

Section 12.2 – On Trial Rule Implementation

The Committee may wish to test the application of a new rule before putting it forward for ballot of members. Where this is the case:

- (a) An initial trial period of up to 12 months will apply from a date set by the Committee before the Rule is intended for submitted to Members.
- (b) The rule is to be placed on the AFA Web under New Rules and Policies page with the date from which it, the New Rule, is to apply. A copy of the On Trial Rule is also to be sent to every Affiliated Club and AFA Judge with a notice placed in the next issue of the AFA Newsletter.

- (c) At the end of the initial trial period (Maximum 12 months), the AFA Committee may, by majority vote, extend the trial for a further 6 months.
- (d) If, after the extension period, the Committee still considers more time is needed to effectively evaluate the Rule, they may, by majority vote, extend the trial period for a final 6 month period.
- (e) At the end of the on trial period, (a maximum of 2 years), the new Rule must, with any amendment, be put to a ballot of members. If the On Trial Rule is not put to the members it is deemed to have lapsed and it shall be removed from the AFA New Rules and Policies section of the AFA web site. A notice of the withdrawal is to go to every affiliated Club and AFA Judge. A notice is to be placed in the next edition of the AFA Newsletter.
- (f) The previous Rule, if any, that the new Rule was intended to replace, will be the default Rule. A notice that the proposed Rule is no longer relevant shall be posted on the AFA web site's New Rules and Policies page for a period set by the AFA Committee.

Chapter 13 INVESTIGATIONS

Section 13.1 – Investigations

The AFA may conduct investigations into any incident involving members or their dogs at AFA Competitions or Demonstrations and may call for reports

from parties directly involved and witnesses to the incident. Legal representation at such investigation will be limited to advise only and legal representatives will not be permitted to accompany or represent witnesses or parties involved at a hearing. The AFA will not accept liability for costs or damages incurred by any person(s) or organisation(s) resulting from these actions. The AFA will establish Policies under which such Investigations shall be conducted.

AFA POLICIES AND EQUIPMENT STANDARDS

Policy 1 – AFA PRIVACY POLICY

We are committed to protecting your privacy. We will only use the information that we collect about you lawfully.

We collect information about you for three reasons:

- To enable us to administer and coordinate the sport of Flyball in Australia
- To enable us to keep you up to date with Flyball activities.
- To enable us to authorise/host competitions at which you and your dog/s can compete in Flyball.

Once you have provided us with your contact details, we will use the most efficient method of communication to keep you up to date with AFA activities.

- The type of information we collect about you includes:
- Your name, address, phone number/s & email address.
- Dog's name, breed, age, sex, microchip numbers and desexing status.
- The name of the team/club to which you belong.
- The name and phone number of your team/club co-ordinator.
- Any AFA qualifications you obtain. (Judge, Steward, Timekeeper)
- The points which your dog/s accumulate in Flyball Competitions.
- Reports from officials and witness statements about your own behaviour and your dog/s behaviour at Flyball Competitions, demonstrations or other AFA accredited activities should any dog incidents or member disciplinary matters arise. NOTE – reports on any incident may be made available to you upon request in the event that the AFA decides there is a need to investigate the reported behaviour.

We will take all reasonable steps to protect your personal information from misuse, loss, unauthorised access, modification or disclosure.

We will never collect sensitive information (such as medical information) about you without your explicit consent.

Our policy is to not publish the names of AFA members involved in MEMBER disciplinary proceedings, either on our website or in printed material during the investigation but we do Minute and record the discipline process and the resultant outcome. The Committee may make a decision to publish the outcome of any discipline investigation, including the name of the member, if it sees this as necessary.

We will record relevant details of any dog incidents involving aggressive or suspected aggressive behaviour and will investigate reported incidents and take appropriate action in line with our Aggressive Dog Policy. Such action may include publishing the CRN and Name of any dog placed on suspension following investigation.

If you so request, we will not publish photos of you and your dog on our website. Photos which you do agree to inclusion on the website become the property of the Australian Flyball Association.

If you so request, we will not email you about Flyball.

We will not disclose any personal information about you to external organisations other than your club or team, or as required by law.

If you have any questions/comments about privacy, you should call or email your Regional representative.

Policy 2 – DOG BEHAVIOUR POLICY

This policy details the process for reporting and dealing with dog behaviour including interference, distraction, suspected aggression and dog aggression. Incidents of dog aggression are distinct from Member misconduct incidents, which are dealt with under Clause 14 of the Constitution.

This policy recognises the AFA's duty of care to all Members and their dogs. Members should note that it is their responsibility to ensure that their dogs are under control at all times and are adequately trained in correct behaviours necessary for flyball racing.

Interference:

Interference is when a dog from one team interferes so that it causes a dog in the other team to deviate in its run or not able to finish its run. The Judge will stop the race and the race will be awarded to the team which did not interfere. The Judges Report Form and Competition Timesheet will cite "Interference" as the type of incident.

Distraction:

Team members shall not distract the opposing team by bouncing balls, using a flyball box at the end of the run, or by any other means nor by throwing any object for their dogs (i.e. balls, toys, Frisbees, dummies, gloves or treats).

Team members are required to pick up loose balls.

The first offence of any of these infractions shall receive a warning. A second offence or any offence thereafter will result in the loss of the heat.

Aggression:

Dog aggression is any behaviour meant to intimidate or harm a person or another animal.

If a dog shows aggression towards another dog, animal, handler, official or Judge at any time during a AFA Competition or Demonstration, either in the ring or outside the ring, an AFA Accredited Judge (inside the ring) or the AFA Representative (outside the ring) may excuse the dog from the Event. If the incident occurred in the Ring and was observed by the Judge a Black signal card will be displayed.

The involved official (i.e. the Judge or the AFA Representative) has the sole right to determine the degree of aggression and whether or not a dog should

be excused. Any action to excuse a dog for aggression must be reported to the AFA by the involved official within 48 hours. Dogs excused for aggression may not compete in any further AFA sanctioned activities until the AFA Committee investigates the incident and informs the Member of the results of that investigation.

Aggressive behaviour may vary in severity. As a guide the following behaviours are potential demonstrations of aggression:

- Dog lunging, snapping or nipping at another dog or person with intent.
- Dog engaging in heavy growling and/ or intimidating another dog by eyeballing with intent.
- Dog chasing and frightening another dog with intent.
- Dog chasing and biting another dog or person with or without a resultant sign of injury;

- Dog attacking another dog or person.

The words “With Intent” are designed to signify that the Judge or Official must be of the opinion that the dog is showing behaviour that is designed to intimidate or actually harm another animal or person.

Any immediate appeal against the decision of a Judge at a Competition must be submitted before the start of the next heat. After that time appeals can only be lodged with the AFA by written submission. Appeals against decisions of the AFA Representative can only be in writing to the AFA.

Upon receipt of an aggressive dog incident report the AFA Committee will appoint a Sub-Committee of 3 to investigate the incident. The Sub-Committee will:

- Comprise those members of the AFA Committee best qualified to assess dog aggression.
- Take into account all available evidence including the involved official’s report and any Witness Declarations, and will invite the Member or handler to make a Declaration.
- Take into account the length of time the dog has been competing in Flyball and any prior Incident Reports involving the dog.

Within 21 days of its establishment the Sub-Committee will report its findings and any recommended action to the AFA Committee. Recommended actions can include:

- (a) Placing the dog on warning (i.e. indicating that any further incidents involving the dog may result ')
- (b) for retraining. Suspension periods may vary from a minimum of 3 months to a maximum of 12 months. During the suspension period the Member should obtain independent advice about the behaviour retraining necessary to overcome the behaviour problem;
- (c) Permanent exclusion of the dog from any sanctioned AFA activity.

Upon receipt of the Sub-Committee’s report the AFA Committee will at its next meeting make a determination and subsequently notify the Member.

(The Protocol (process) for dealing with Dog Incident Reports can be found on the AFA Web site under the heading Member Information- General.)

The Member may lodge an appeal within 14 days of the date of service of the AFA Committee’s decision. Any appeal should focus on new evidence or facts not taken into account by the AFA. Any appeal will be considered by the AFA Committee at its next scheduled meeting and the Member will be notified of the outcome within 7 days of that meeting. (The Protocol (process) for dealing with Appeals can be found on the AFA Web under the heading Member Information - General.)

Note: At any time, the Supervisory Judge may report to the AFA Committee any dog whose behaviour results in regular carding reports that may be evidence of the need for retraining. The AFA Committee will deal with any such report in the same way as an aggressive dog investigation i.e. a Sub-Committee will be formed to investigate and report.

Process for applying for re-instatement of suspended dogs

At the end of any suspension period the Member may apply to the AFA Committee for reinstatement by showing evidence that the dog has undergone satisfactory retraining. Applications for reinstatement must include copies of the weekly re-training log (see “Weekly Training Log” under the “Members” / “Forms” page on the AFA website). The weekly retraining log will be signed by the Club Co-ordinator or Manager and will show:

- The amount of time dedicated to re-training.
- The specific behaviours identified and addressed.
- The behavioural achievements.
- The names, qualifications and experience of those assisting with re-training.
- The names of witnesses to the retraining.

Applications for reinstatement must also include:

- A statement from the Club Co-ordinator or Manager detailing the assessed outcomes of the retraining program and providing an opinion about whether the dog is suitable for reinstatement; and
- Witness Declarations from people who have witnessed the retraining activity.

Members are urged to seek the best quality retraining advice they can.

The AFA Committee will consider any reinstatement application received at its next scheduled Meeting and will determine the extent to which the submission indicates successful retraining. The AFA Committee will, where satisfied with the retraining, so notify the Member and lift the suspension from the date of notification.

If the AFA Committee is not fully satisfied it may require an independent assessment of the dog’s suitability for reinstatement. The AFA Committee will then appoint a suitably experienced panel of 3 AFA Members who do not belong to the offending dog’s Club. The Member will be consulted about a suitable time and venue for the assessment.

Extended Suspension

If the AFA Committee is not satisfied that the retraining has produced the required behavioural change in the dog it may extend the suspension period by a maximum of a further 6 months, during which time the dog must undergo retraining by a practitioner with qualifications in animal behaviour.

Second Offences

Any dog found guilty of a second aggression incident will be automatically suspended for a minimum of 6 months during which time the dog must undergo retraining by a practitioner with qualifications in animal behaviour.

Policy 3 – TRAINING DAY POLICY

The Australian Flyball Association (AFA) needs a Training Day Policy so that we can promote the sport of Flyball by giving handlers and dogs a taste of Flyball in a controlled environment and ensure that AFA rules, policies and guidelines can be applied consistently across Australia at “AFA Sanctioned Training Days”.

Sanctioned Training Days Aims & Objectives:

As well as promoting Flyball, Training Days play an important role in giving dogs new to Flyball an opportunity to try Flyball training before they join a Flyball club and the AFA.

Sign Up Process

Honorary AFA members wishing to participate in an “AFA Sanctioned Training Day” will be required to read this policy and sign the Register of Honorary Members Form stating that they;

- Have read the policy,
- Will abide by this policy,
- Will take instruction and directions from AFA organising members & AFA officials,
- Will up-hold the objectives, rules and policies of the AFA and affiliated Clubs, to promote the sport of Flyball, its training and exhibiting of dogs, in a positive, informative, safe and entertaining manner.

Insurance:

The AFA member/s organising and attending the Training Day must submit an email or correspondence to the AFA Secretary, stating the date, times, format and location of the Training Day with enough time for the AFA to approve & notify the organiser of the sanctioning before the Training Day takes place. AFA sanctioning of a training day allows for honorary members to train dogs in Flyball techniques under the direction of an AFA member who is a Flyball instructor. A copy of the details of the Training Day should be forwarded to the Webmaster for inclusion on the AFA calendar on the web. Only AFA members and honorary AFA members are covered by AFA insurance. Only AFA members can be organising person/s and Flyball trainers on the day.

Unsanctioned training days are not covered by this policy document or AFA Insurance. The AFA advises organisers of unsanctioned training days to arrange an appropriate level of insurance coverage.

Format:

The format of the AFA Sanctioned Training Day shall be to minimise the chance of any aggressive gesture or incident. Format details or training techniques are to be submitted to the AFA with the request for sanctioning if available as this may assist the AFA with the sanctioning process.

Training Day Policy Statement:

Whilst there is no minimum age for dogs to take part in a Training day, dogs under the age of 12 months may not run over jumps or train on the box.

- Honorary members can train their dog at AFA Sanctioned Training Days.
- Honorary members do not get issued with an AFA CRN (Competition Racing Number).
- Dogs without an AFA CRN will not race against individuals or as a team.
- Honorary members must be attached to their dogs on lead when not training under the close supervision of a Flyball instructor.
- No Handlers are to run over jumps or walk backwards over Flyball jumps or hurdles.
- Handlers are responsible for ensuring that their dog does not approach any other dog without permission.
- Organisers should reinforce the need to maintain a safe distance between dogs on or off lead.
- Training days must have a head instructor who understands how to minimise aggression.
- The training ground needs to be secure so that dogs cannot escape from the training ground into dangerous environments.
- AFA Officials include the organiser/s, AFA committee members and AFA Judges can stop a handler or dog from taking any further part in the training day.
- Aggression or unacceptable behaviour at training days should not be tolerated.

- A dog or handler should be asked to leave politely after an aggressive incident or if it likely that further participation may cause aggression.
- Above all a friendly common sense approach should be taken towards all incidents at training days.
- Officials, handlers and dogs need to maintain standards that leave the public with glowing views of Flyball and promote Flyball in the community.
- Participants shall at all times be courteous and friendly. At no time should they show displeasure with a dog, exhibitor, trainee, AFA official, sponsor, host or spectator, in or out of the training area.
- Demonstration rules & policies will apply for dogs with valid CRNs that choose to demonstrate racing at sanctioned training days.

Policy 4 – COMPETITION CANCELLATION POLICY

Scope of this Policy is “cancellation of a sanctioned competition”.

Competitions involve a lot of planning, preparation and work by Organisers, Officials and Participants, and should proceed if at all possible. Cancellation shall not be for frivolous reasons.

The decision to cancel a competition shall generally be taken on the grounds of safety, to both dogs and people, but this is not intended to exclude other grounds. Examples of legitimate reasons to cancel include but are not restricted to:

- Wet weather
- High temperature
- Unsuitable running surface
- High wind
- Outbreak of disease
- Major external event (eg bushfires, floods)
- Loss of grounds
- Electrical storm
- Compassionate issues – such as death or serious illness/injury at competition

Options include total cancellation of a competition or shortening the competition Program in order to obtain a valid result in less races, such as:

- Cancel the competition before start (either on or shortly before the day)
- Delay the start of the Competition if conditions are unsafe but look like they could improve
- Take a break during the competition to avoid racing during temporary unsafe conditions
- Abandon the competition after racing has started

Cancellation should be considered at any time that racing conditions appear to be unsafe for dogs and people.

Decision to cancel should be taken by the following competition officials:

- The Competition Organiser
- The AFA Representative(s)
- The Judge(s)

It is strongly recommended that the competition officials consult amongst themselves and come to a majority decision, however, if consensus cannot be reached, the following should be noted:

- The Competition Organiser may cancel the competition if, in their opinion, proceeding is unsafe or would place their club at risk;
- The AFA Representative(s) may withdraw sanctioning for the competition if, in their opinion, proceeding is unsafe or the AFA’s insurance would be compromised;
- The Judge(s) may withdraw from officiating at the competition if, in their opinion, proceeding is unsafe.

Refund of entry fees and payment of levies such as the AFA Lights Levy will depend on when the cancellation occurs, as follows:

	Entry fees	AFA Lights Levy
Cancellation before racing starts	Full refund	Not payable
Abandonment after racing has begun but before enough races have been run to achieve a result in all divisions (could include abandonment due to poor light caused by late running after cumulative short breaks).	Full refund	Not payable
Abandonment after enough races have been run to achieve a result in all divisions, but before scheduled end of racing	No refund	Payable

Note: Team Captains should not be asked to take part in any consideration as to cancellation decisions or be asked to approve the decision.

Policy 5 – NATIONALS PLANNING & PRESENTATION POLICY

From a competition viewpoint the annual Australian Nationals Flyball Championships are the most important event on the flyball calendar. The Nationals are held over a two or three day period. Whilst the National Championships are hosted by a Club or group of Clubs they remain the AFA’s National Championship and as such must be overseen by the AFA. This Policy has been developed to ensure a consistent and high quality approach is maintained to the planning and delivery of the Championships.

Submitting Bids for hosting of Championships

The AFA will notify all affiliated Clubs by email and by reference on the AFA web site of the closing date for bids to host any forthcoming National Championships. Bids will normally close at the end of March for the Championships in a year’s time. The early close is to ensure that the AFA have an approved venue, date and host identified well in advance of each Championship. Bids may be submitted by a single Club or by a consortium of Clubs. Bids must show the proposed venue and any associated major event (e.g. Sydney Royal Show) or if not a major event how exposure of flyball will be ensured; the proposed dates of the Championship; and indicate that any main event managers are committed to the Nationals. A set of Guidelines for hosting the Nationals are available on the AFA Web site under the “Hosting a Competition” category and these should be read before developing a Nationals bid.

Approval of Bids

All bids received will be considered by the AFA Committee and the approved host club/s will be notified in writing.

Planning the Championships

The AFA will nominate at least one member of the AFA Committee to work with the host club/s in the planning of the Nationals. This appointee will be the main communication channel between the AFA Committee and the hosts for matters relative to the planning of the Championships. The host club/s should form an event planning committee, which must include both a Competition Organiser and a Competition Secretary. The host club/s are free to allocate all other responsibilities (such as accommodation planning; raffle; merchandise; physical logistics; ticket allocation) to members of the planning committee.

Event Budget and Financial Arrangements.

Following AFA approval of the host club/s the host should commence to develop an event budget covering anticipated income and expenditure associated with the Championship. As a guide income will include forecast Team entry fees, and merchandise income sales. Expenditure will include Competition Sanction fees; Judges and Officials travel reimbursement; ribbons and prizes (other than supplied by any sponsors); merchandise purchases; officials' lunches; costs of catalogues and other paperwork; minor items such as batteries and marking paint and the AFA lights levy.

This budget MUST be submitted to the AFA for approval IF the host Club/s wish to seek a level of event underwriting from the AFA. Underwriting is the underwriting of costs incurred pre event that would be unrecoverable in case of total event cancellation.

Where underwriting of costs is sought the budget should include a projection of the upfront costs likely to be incurred pre-event and not recoverable if the total event has to be cancelled. It is only these pre-event costs that require to be underwritten in circumstances where cancellation is required. The submission to the AFA should identify what level of underwriting is being sought from the AFA – up to a maximum of 50 per cent. Where the AFA agrees to a percentage of underwriting it will also be entitled to receive an identical percentage of any event profit. (Event profit excludes raffle income and expenses.)

Where the host club/s do NOT wish to seek AFA underwriting of upfront costs there is no requirement to submit the budget to AFA for approval nor will the AFA receive any share of the event profit.

Appointment and Role of Officials (Nationals Supervising Judge; Judges; and AFA Representatives).

The Competition organisers shall invite all AFA accredited Judges to express interest in officiating at the Nationals either as Judges or AFA Representatives. Selection preference will normally be given to Level 1 and higher accredited Judges. In calling for expressions Judges should be asked to indicate if they plan to run a dog/s or undertake other team roles at Nationals. Once expressions are received the Organisers should consider availability and submit recommendations regarding all Judges and AFA Representatives to the AFA for consideration and approval.

Selection of Timekeepers and the Ring caller/s are matters for the hosts to determine but only accredited or well experienced people should be appointed.

The Competition organiser shall recommend to the AFA a Nationals Supervising Judge. The Nationals Supervising Judge will normally be an AFA Supervisory or Senior Judge. The Supervising Judge will be available to assist ring judges deal with any technical problems and will be responsible for co-ordination between the Judges and the AFA Representatives at the competition in event of protest/disputes in the ring. The Supervising judge will have final decision as to Rule interpretations and protest decisions. The Supervising Judge will not normally be involved in Judging in the rings other than in an emergency/ relief capacity. The Supervising Judge will allocate Judges to oversee any run offs.

Where the Budget allows organisers may care to consider the appointment of one overseas Judge, who would have no involvement with any Clubs racing at the Championship. Where appointed this Judge would normally be used for any run offs required at the end of the Championships.

Organisers should aim to have at least one Judge in each ring not involved in racing a dog. As a guide only one other judge would be required to cover a ring with a fully dedicated judge. A maximum of 3 judges would be required to cover the second ring. (This is in addition to the Supervising Judge).

A minimum of 2 Timekeepers will be required for each ring plus at least one relief timekeeper. A ring caller and assistant are recommended to schedule races and deliver paperwork to the rings.

Entry Forms and closing dates

Nationals entry forms are to be placed on the AFA website well in advance of the closing date for the championships. Closing dates will need to be set taking into account the requirements of the main event (Royal Show or Expo) for ticket allocation; and the need to co-ordinate and obtain approval for division splits and produce the draw. It is suggested that a minimum of 6 weeks be allowed from close of entries to date of event.

Approval of Division splits

The organisers shall submit a proposed set of division splits to the AFA for consideration as soon as possible after entries close. This schedule is NOT to show team names but only the Seed times and whether they are Web or Declared. The AFA will seek input from a senior independent NAFA Competition organiser before approving the divisions.

It is the responsibility of the Competition Organisers to check Web Seed times and to review declared seed times taking into account stated reasons for declaring the seed time. No changes to Team seed times will be allowed once Entries have closed.

Approval for Event Format, including means of deciding placings in event of tied results

Once the division splits are approved the Competition organiser shall submit to the AFA a proposed event format and a recommendation regarding basis of determining tied placing results. As a Guideline a preferred format would have each team involved in 6 best of 5 heat races per day (on average say 24 heats) in each Division. Where this is not achievable the format recommended should aim to have all divisions running approximately the same number of heats over the two days.

Competition Organisers are free to consider recommending any of the AFA approved race format, including using a Champion Trophy format of racing between Division winners. Organisers may also propose separate events such as Veterans racing format. In making these recommendation organisers are asked to take into account likely time availability and also ring availability.

Any changes to the approved format (including any changes on day of competition) must be submitted by the competition organiser to the Supervising Judge and AFA Representative/s for approval.

Availability of Draw and Seed times in each Division

The competition organiser should plan on having the draw and division seed times available for posting to the AFA web site by no later than the end of the weekend before the Nationals.

Trophies and Prizes

Organisers can seek sponsors to support raffles or prizes for teams.

Catalogue

A catalogue should be produced for every competitor and Official, with a reasonable number of spare copies available. As a minimum the catalogue should include details of the teams entered, division splits; team seed times; contact details for the nearest Vet Surgery and their opening hours.

Cancellation

Cancellation or reduction in racing in the Nationals must be in line with the AFA Policy on cancellation. Safety of grounds from both dog and human viewpoint must be the first consideration. Any consideration of cancellation or amendment to approved racing format or schedule shall involve consultation between the Competition Organiser, the Supervising Judge and the appointed AFA Representatives.

Policy 6 – DISABILITY ACTION POLICY

Disabilities Action Policy

Whilst recognising that the safety of dogs and exhibitors is paramount to Flyball, the AFA advocate a policy of encouraging all its members, regardless of any disability, to participate in Flyball, including official duties, to the best of their competency and ability.

Policy implementation Guidelines

The AFA takes the position that in general there should be no reason to disregard anyone from undertaking a role for which they are deemed to be fit and competent. Competency should be assessed by applying the following Guidelines, recognising that in all cases the final decision as to fitness for role must be at the discretion of the officiating Judges and AFA representative at the competition.

Guidelines

The AFA accepts that both permanent and temporary disabilities will be recognised within the AFA Policy.

Dog Handling – A person with a disability must still be expected to exercise reasonable control over their dog to the levels required for safety of racing under AFA rules.

The disabled person will be working as part of their team and as such the team should take the disability into account and organise the team to minimise any potential danger or safety concern. As an example the positioning of the dog in the running order should reflect optimum safety arrangements for all participants.

The AFA has recognised that certain types or levels of disability may require the disabled person to have a specific “helper” in the ring with them to safely run their dog. In these circumstances the “helper” shall NOT be counted as one of the two runners allowed under Rule 5(a). The “helper” should recognise that their role is restricted to providing assistance as required to the disabled member and not as a third runner. Helpers must be full or associate members of the AFA. Where a member with a disability is of the view that they require a helpers assistance this should be drawn to the attention of the Competition Organiser and AFA Representative prior to entry to Ring with the helper. The AFA Representative should notify the Judge of the request for assistance. The Judge has the sole responsibility during the race of determining whether the helper arrangement is warranted and can be safely accommodated in the Ring.

Stewarding – A member with a disability wishing to steward should be competent to undertake the duties laid down under Section 10.3 paragraphs (e), (f) and (g) and have the ability to witness any transgression of the rules of racing and react accordingly.

Should the officiating Judge consider a person stewarding not to be competent for that steward position the Judge may ask the person to move to another stewarding position that they may be better suited, or ask for the steward to be replaced. This Guideline applies to both members with or without a disability who are undertaking the stewarding role.

Timekeeping – In order to become a timekeeper there is a practical component of timekeeping for at least one competition. Through observation, a person with a disability will be assessed as to their competency to perform the timekeeping role during this process.

Judging – A person with a disability must still undergo the current Judges competency assessment.

The assessor will sympathetically take into consideration the members disability and whether this is likely to significantly affect their ability to perform the functions of a Judge. A disabled candidate will still need to be assessed as reasonably self-sufficient in their ability to manoeuvre around the ring in order to safely discharge the responsibilities of the Judges Role.

Ring Layout – Competition organisers are requested to take into consideration reasonable mobility requirements for both able bodied and disabled members when setting up competition rings. This is particularly relevant in the layout and size of entry/exit gates and the space between side of ring and the backboards at the box end. Judges may request an adjustment of the ring where it is clear that insufficient space has been allowed for reasonable access by any member and their dog.

Policy 7 – TRAINING IN THE RING POLICY

Clubs and competition organisers who wish to offer Training in the Ring at their competition must:

- Obtain approval as part of the Competition sanction special conditions and then advertise it in the details for their competition on the Web,
- Ensure there is adequate supervision to control the ring and ensure fair access,
- Ensure there is a safe number of dogs in the ring at any time,
- Ensure that only dogs NOT entered in the competition are permitted in the ring at this time,
- Ensure that all handlers are AFA members,
- Ensure that all dogs are registered with the AFA by verification of membership card or soft copy of receipt for registration.

In addition to the above, the following shall apply:

- The Competition Organiser is responsible for arranging supervision of Training in the Ring. An officiating Judge can NOT be made responsible as Judges need the lunch break to relax and refresh.
- There is no minimum age for dogs to take advantage of lunchtime training. However, dogs under 12 months of age may not be run over jumps or train on the box.
- The Competition Organiser shall arrange and manage a system for fair and equitable access to the ring.
- A member who reserves the ring shall be responsible for management of and safety in the ring during the entire period of their reservation. They must be present and may agree to share the ring with others at their discretion.
- Jump height shall be at the discretion of the handler, and in any case be not more than an appropriate maximum for the dog's height. If the dog has not yet been measured, the maximum height shall be conservative, i.e. err on the low side.
- Training remains at the discretion of the Competition Organiser at all times
- Competition officials may withdraw or cancel the training at any time for a valid reason, such as need to resume racing or to cover racing time lost due to interruptions such as weather.
- Members using the ring shall supply their own box and balls.

(see "Training in the Ring Booking Form" under the "Members" / "Forms" page on the AFA Website).

Policy 8 – ANTI BULLYING POLICY

The Australian Flyball Association is committed to providing an environment that is free from bullying. We understand that bullying has the potential to result in significant negative consequences for an individual's health and wellbeing, and we regard bullying in all forms as unacceptable in our sport.

Bullying is characterised by unreasonable behaviour directed at a person, or group of persons. Bullying behaviour is that which a reasonable person in the circumstances would expect to victimise, humiliate, undermine, threaten, degrade, offend or intimidate a person. Bullying behaviour can include actions of an individual or a group.

Whilst generally characterised by repeated behaviours, one-off instances can amount to bullying.

The following types of behaviour, either as individual acts, repeated or occurring as part of a pattern of behaviour, would be considered bullying:

- verbal abuse including shouting, swearing, teasing, making belittling remarks or persistent unjustified criticism;
- excluding or isolating a group or person;
- spreading malicious rumours; or
- psychological harassment such as intimidation.

Bullying includes cyber-bullying which occurs through the use of technology. New technologies and communication tools, such as smart phones and social networking websites, have greatly increased the potential for people to be bullied through unwanted and inappropriate comments. The Australian Flyball Association will not tolerate abusive, discriminatory, intimidating or offensive statements being made online.

Breaches of the Australian Flyball Association Anti-Bullying policy may be considered to be wilful action prejudicial to the interests of the AFA, and may result in disciplinary action being instituted against the offending member or group of members under the provisions of clause 14 a) ii) of the Australian Flyball Association Constitution.

Policy 9 – SOCIAL MEDIA POLICY

The Australian Flyball Association acknowledges the enormous value of social networking to promote our sport and celebrate the achievements and success of the people involved in our sport. Due to the immediate nature of communication to a wide audience using channels such as Facebook and twitter, participants need to be very mindful of matters that could lead to inappropriate use of new media, at times unintended, and at other times without a proper understanding that once comments are made or published, they are in public for a long time, and hard to retract.

Social networking refers to any interactive website or technology that enables people to communicate and/or share content via the internet. This includes social networking websites such as Facebook and Twitter. Social media, including publishing on the Australian Flyball Association website, is an important means of improving and increasing the flow of information to members and shaping thinking that contributes to the development of our sport.

Social media allows people with similar interests to connect, as well as provide the opportunity to introduce the general public to the sport of Flyball. Anything published on a public social media channel is akin to being published on the front page of a newspaper.

The AFA requires all members to be bound by this policy and to conduct themselves appropriately when using social networking sites to share information related to our sport or where communicating with fellow members. Under no circumstance should offensive comments be made about Members or officials online.

In particular, social media activity relating to flyball including, but not limited to, postings, blogs, status updates, and tweets:

- must not contain material which is, or has the potential to be, offensive, aggressive, defamatory, threatening, discriminatory, obscene, profane, harassing, embarrassing, intimidating, sexually explicit, bullying, hateful, racist, sexist or otherwise inappropriate;
- must not contain material which is inaccurate, misleading or fraudulent;
- must not contain material which is in breach of laws, court orders, undertakings or contracts;
- should respect and maintain the privacy of others; and
- should promote the sport in a positive way.

It is important that members reputations are not tarnished by anyone using electronic communications or social media tools inappropriately, particularly in relation to any content that refers to the Australian Flyball Association. When someone clearly identifies their association with the Australian Flyball Association, and/or discusses their involvement in this type of forum, they are expected to behave and express themselves appropriately, and in ways that are consistent with Australian Flyball Association stated values and policies. It is important to note that posts that are made and subsequently removed or deleted are still often viewed by many people and therefore may still be subject to disciplinary action.

Frustration at a judge, teammate, competitor or the Australian Flyball Association should never be communicated on social networking websites. These issues should instead be addressed – in a written or verbal statement or a complaint – to the Australian Flyball Association.

This policy covers all forms of electronic communications and social media.

Breaches of the Australian Flyball Association Social Media policy may be considered to be wilful action prejudicial to the interests of the AFA, and may result in disciplinary action being instituted against the offending member or group of members under the provisions of clause 14 a) ii) of the Australian Flyball Association Constitution.

Principles for the Australian Flyball Association Facebook page

The Australian Flyball Association currently operates one social media channel – a Facebook page – as well as the Australian Flyball Association website. Whilst these guiding principles have been developed for the Facebook channels, they should be applicable to other channels should future decisions be made to create them.

The focus of the social media channels will be on promoting the activities of the Australian Flyball Association and its affiliated clubs. Not on any individual.

The Australian Flyball Association social media channels will not contain advertising, nor will they “like” or follow any commercial outlet, unless agreed as part of a formal sponsorship agreement with the Australian Flyball Association.

Training tips will not be published on the social media channels. The Australian Flyball Association Committee will appoint a social media coordinator who will hold admin (authorship) rights to the social media channels, along with the Australian Flyball Association web team. The Australian Flyball Association Facebook page will be open to comments on posts, although this will be monitored to ensure that comments posted are appropriate. Any comments posted that are viewed to be inappropriate will be deleted. If the need for this becomes frequent, the Australian Flyball Association Committee will consider removing the ability for the public to post comments, or undertake other action as deemed necessary under the rules of the Australian Flyball Association.

Posts will focus on activities related to competitions, demonstrations, and other administrative information include advice about AGM. Other (positive) messages may also be issued.

Equipment Standard 1 - JUMPS

Standard 1 - Standard for Jump Design

	Dimensions	Material
Uprights	As per AFA Rulebook.	PVC foam board or Plywood up to nominal ½" thickness
Baseboard	Width: suitable for 6" height. Length: 800 mm This means that the lowest 7" height is made up of the 6" baseboard + a 1" slat, which means 7" height dogs will have the protection of a 1" slat. Note: this requires a jump set to have 2 off 1" slats in order to be able to make up the 8" height (6" + 1" + 1").	PVC foam board or Plywood up to nominal ½" thickness
1" slats	Length 730 mm. This is to reduce the number of times the top slat jams in the uprights when hit by a dog, and becomes a trip and entrapment hazard. Note: see instructions below regarding use.	PVC foam board up to nominal ½" thickness This is so that slats will flex easily when hit by a dog and minimise injury. No other material may be used unless approved in writing by the Committee
2", 3" and 4" slats	Length 800 mm.	PVC foam board up to nominal ½" thickness This is so that slats will flex easily when hit by a dog and minimise injury. No other material may be used unless approved in writing by the Committee

It is recommended that the slots in the uprights be a loose fit (1 – 1.5 mm free play) for the slats so that they do not bind up when flexed.

The edges of the slots should be slightly chamfered or rounded, also to reduce binding.

- The top slat must always be 1", including for 7" dogs (i.e. 6" baseboard + 1" slat). Flyballers need to be educated on the need for the top slat to always be the 1" for the safety of their dogs
- The 1" slats must be installed so that one end is lined up with the end of the baseboard, which ensures the other end extends just past the opposite upright. This increases the chance that the slat will release from the upright if hit hard enough, rather than jamming.

Appendix A - ROUND ROBIN COMPETITION FORMAT (Including Handicap Round Robin format)

Each team races every other team entered in their division an equal number of times.

Each race shall have three or five heats or be the best three out of five heats.

The following competition points are awarded for each race:

- (i) 2 points to the winning team;
- (ii) 1 point for each team for tied races;
- (iii) 0 points to the losing team.

Places are determined by the number of points awarded to each team.

Round Robin Format:

3 Team-	Allow 30 Minutes for races
4 Team-	Allow 1 Hour for races
5 Team-	Allow 1 Hour and 20 Minutes for races
6 Team-	Allow 2 Hours and 10 Minutes for races
7 Team-	Allow 3 Hours for races
8 Team-	Allow 4 Hours for races
9 Team-	Allow 5 Hours and 10 Minutes for races

ROUND ROBIN RACE SCHEDULES

3 Team Round Robin

Race 1	3	vs	1
Race 2	2	vs	3
Race 3	1	vs	2

Allow 30 Minutes for Races

4 Team Round Robin

Race 1	4	vs	1
Race 2	2	vs	3
Race 3	1	vs	3
Race 4	4	vs	2
Race 5	3	vs	4
Race 6	1	vs	2

Allow 1 Hour for Races

5 Team Round Robin

Race 1	5	vs	2
Race 2	4	vs	1
Race 3	3	vs	5
Race 4	2	vs	4
Race 5	1	vs	3
Race 6	4	vs	5
Race 7	2	vs	3
Race 8	5	vs	1
Race 9	3	vs	4
Race 10	1	vs	2

Allow 1 Hour and 20 Minutes
for Races

6 Team Round Robin

Race 1	2	vs	3
Race 2	6	vs	1
Race 3	4	vs	5
Race 4	3	vs	6
Race 5	4	vs	2
Race 6	5	vs	1
Race 7	2	vs	6
Race 8	1	vs	4
Race 9	5	vs	3
Race 10	6	vs	4
Race 11	2	vs	5
Race 12	3	vs	1
Race 13	5	vs	6
Race 14	4	vs	3
Race 15	1	vs	2

Allow 2 Hours and 10
Minutes for Races

7 Team Round Robin

Race 1	1	vs	4
Race 2	2	vs	5
Race 3	3	vs	6
Race 4	4	vs	7
Race 5	5	vs	1
Race 6	6	vs	2
Race 7	7	vs	3

Race 8	1	vs	3
Race 9	5	vs	7
Race 10	2	vs	4
Race 11	6	vs	1
Race 12	3	vs	5
Race 13	7	vs	2
Race 14	4	vs	6
Race 15	7	vs	1
Race 16	2	vs	3
Race 17	4	vs	5
Race 18	6	vs	7
Race 19	3	vs	4
Race 20	5	vs	6
Race 21	1	vs	2

Allow 3 Hours for Races

8 Team Round Robin

Race 1	4	vs	8
Race 2	3	vs	7
Race 3	2	vs	6
Race 4	1	vs	5
Race 5	6	vs	1
Race 6	8	vs	3
Race 7	2	vs	5
Race 8	4	vs	7
Race 9	3	vs	6
Race 10	5	vs	8
Race 11	7	vs	2
Race 12	1	vs	4
Race 13	8	vs	2
Race 14	4	vs	6
Race 15	7	vs	1
Race 16	3	vs	5
Race 17	6	vs	8
Race 18	2	vs	4
Race 19	5	vs	7
Race 20	1	vs	3
Race 21	8	vs	1
Race 22	6	vs	7
Race 23	4	vs	5
Race 24	2	vs	3
Race 25	7	vs	8
Race 26	5	vs	6
Race 27	3	vs	4
Race 28	1	vs	2

Allow 4 Hours for Races

9 Team Round Robin

Race 1	1	vs	9
Race 2	5	vs	7
Race 3	4	vs	8
Race 4	3	vs	6
Race 5	7	vs	9
Race 6	8	vs	2
Race 7	5	vs	3
Race 8	6	vs	1
Race 9	2	vs	4
Race 10	9	vs	5
Race 11	6	vs	8
Race 12	1	vs	7
Race 13	3	vs	2
Race 14	5	vs	4
Race 15	8	vs	1
Race 16	6	vs	7
Race 17	2	vs	9
Race 18	4	vs	3
Race 19	2	vs	7
Race 20	1	vs	5
Race 21	3	vs	9
Race 22	4	vs	6
Race 23	8	vs	9
Race 24	7	vs	3
Race 25	4	vs	1
Race 26	6	vs	2
Race 27	5	vs	8
Race 28	6	vs	9
Race 29	7	vs	4
Race 30	5	vs	2
Race 31	1	vs	3
Race 32	9	vs	4
Race 33	8	vs	7
Race 34	5	vs	6
Race 35	3	vs	8
Race 36	2	vs	1

Appendix A- Part 2 - Round Robin Handicap Racing Format

This format has been developed to be used where it is expected that only a small number of Teams will be entered for the Competition and indication is that there could be a wide variation in seed times within Divisions. If a normal Round Robin format were adopted non-competitive racing would be likely however by using handicap format all teams have the same possibility of success.

Recognising that the Format is only suitable for competitions with a small number of teams the preferred number of teams is in the range of 7 to 8 as this allows all teams to compete in one or two handicapped Divisions of approximately equal numbers. Each Division shall consist of at least 3 teams, and there shall be no combined Divisions. The maximum number of teams in any Handicap Round Robin Competition shall be 14. Where more than 8 teams are entered the format shall be run in at least two Divisions of approximately equal numbers. In such a case entries in each Division will be determined based upon descending order of nominated seed times. The decision as to number of heats per race should be made after the number of teams entered is known. Racing can be 3 heats, best of 5 or 5 heat races. In considering the number of heats competition organisers should take into account the number of races each team will be required to undertake. Where the number of races will exceed 6 consideration should be given to restricting the number of heats to 3 or best of 5.

Recognising that the format has a maximum number of team competition organisers shall indicate, when calling for entries, that the competition is to be restricted to a nominated stated maximum number, which shall not exceed 14.

In order to apply this format the seed times of all teams entered is a critical issue as the difference in seed times establishes the handicaps. ALL teams are REQUIRED to submit a declared seedtime, based upon the projected time of their 4 fastest dogs entered in each team. Each team's breakout time is 1 second faster than the declared seedtime. If a team exceeds its break out time 3 times it is no longer eligible to place in the Competition but may continue to race. Dog title points will continue to be allocated as per normal rules of a breakout team.

All other Rules of Round Robin Format apply to this format.

Change from Round Robin to Handicap competition: If entries to a conventional Round Robin competition are such that a conventional Division split cannot be found and team numbers are equal to or less than 14 the host club may apply to change to Handicap Format Racing.

The request to change the competition shall be made to the AFA Secretary in writing (email), and must include an explanation for the request. Committee approval shall be by email majority. If approval is granted, the host club shall notify all entered teams and invite them to submit a revised seed time if they wish, or withdraw from the Competition for a full refund. The invitation shall specify a closing date for changes, which shall give Teams at least three days to respond. Where no response is received by the host club by the nominated closing date, the team is deemed to have accepted the format change and their seed time (whether originally Web or Declared) is unchanged.

How to run Round Robin Handicap Racing:

Rules for the conduct of Round Robin Handicap Racing are the AFA rules for Round Robin Format with following variations:

- To accommodate handicap structure there will be no restart for first false start. Where the start dog from either team false starts that dog must run again as a 5th dog;
- The sound system on the Signature lights is to be disconnected (or programmed to be silent) during the start sequence so that both teams receive light signals only. (If sound is not disconnected then under the handicap structure the first team only receives a sound countdown). It may be reconnected after the first team's start to signal bad crosses.
- Handicap times will be calculated for each and every race based on the difference in seed time of both teams.
- Breakout Times for every team will also be based on their seed time minus 1 second. All teams (including Division 1) will have a Breakout time in this format.

Calculating Handicaps and Breakouts:

Handicap Time: The Handicap Time is the difference between the seed times of each Team racing. Example: Team 1s seed time was 20.890 and Team 2s seed time was 26.973, therefore the handicap is $26.973 - 20.890 = 6.08$ seconds. Breakout times are 1 second faster than seed time for each team.

Programming the Signature Console: The Handicap Time is entered for the slower team and 0.00 is entered for the faster team.

Breakout Time: The Breakout Time for every team is its Seed time minus 1.0 second. Example: the team above with a seed time of 20.890 seconds will have a Breakout Time of 19.89 while the team with seed time of 26.973 will have a Breakout Time of 25.97 seconds.

Programming the Signature console: enter the breakout for the slower team, and the breakout plus the handicap time for the faster team.

The information for programming the Signature console is worked out as follows:

Handicap = $26.973 - 20.890 = 6.08$ seconds

Breakout for slower team = 25.97 seconds

Breakout for faster team = $19.89 + \text{handicap of } 6.08 = 25.97$ seconds

This process equates to the same breakout controls used in regular racing to restrict sandbagging.

Please note that the console only works in 1/100th of a sec while seed times and seedtimes go to 1/1000th of a sec. When entering Breakouts in the console, we will round times downwards not upwards, eg 26.473 would be entered as 26.47.

Console Operating Instructions for Handicap Racing:

1. Press Setup.
2. Press Next Choice twice [for consoles updated in 2012].
3. Press Enter to Set Handicap.
4. Key-In Handicap Time L
5. Press Enter
6. Key-In Handicap Time R
7. Press Enter
8. Enter Breakouts as normal (Set-up/Next Choice/ Enter etc).
9. Done!

Timesheets

New Handicap Timesheets have been developed for Handicap Round Robin Racing. This is to allow teams to have a Web Time, because the signature lights don't display the team's actual run time for the team with the quicker seed time. What they display is the team's actual run time *plus the handicap time*. So, to get a time that can be used as a web time, the handicap must be subtracted, and it must be done race by race because the handicaps change depending on the opponent. This is done in the header line for each race

Another change is the addition of a 'W' column in the table between the 'Breed' and 'Y' columns. This is for recording Warnings that a judge issues.

At the end of each race, both timekeepers must:

1. [If not pre-printed] Write the *opposing* team's handicap time for that particular race next to "Adjustment";
2. Find the Best Heat Time for that race as displayed on the console;
3. Subtract the Adjustment from the Best Heat Time and write the result next to "Adj'd Best Heat Time" (Adj'd = Adjusted).

Note: In the Signature system, the handicap time for the slower team is a number while the handicap for the faster team is always zero. When these figures are transferred across to the opposite team in step 1 above, the result is that the slower team's Adjusted Best Heat Time will be the same as their best displayed time, while the faster team's Adjusted Best Heat Time will be reduced by the handicap time.

At the end of the competition, the Judge must look for the lowest "Adj'd Best Heat Time" and write this in the "Best Time" at the bottom of the timesheet.

Recap and Notes:

- Handicap and Breakout times are generally different for each pair of opponents, therefore will be different for each race for a given team.
- The Handicap time is entered for the lane with the slower team rather than the lane with the faster team. The faster team always has a "handicap" of zero.
- Timesheets should be prepared with the Handicap time, the Breakout time and the Adjustment printed in the heading line for each race.
- Heat times displayed on the console and display panels are correct for the team with the slower seed time but have had the handicap time added for the team with the faster seed time.
- So, to get the 'true' heat time for the faster team, the handicap time must be subtracted from their displayed time.
- An Adjusted Best Heat Time must be worked out and recorded in the heading line for each race. The judge can then pick the team's Best Heat Time for the competition at the end of the day by scanning down the Adjusted Best Heat Times for every race.

Appendix B – ELIMINATION COMPETITION FORMAT

Each race shall have three or five heats or be the best three out of five heats.

Single Elimination Formats

4 Team	–	Allow 40 minutes
5 Team	–	Allow 50 minutes
6 Team	–	Allow 1 hour
7 Team	–	Allow 1 hour
8 Team	–	Allow 1 hour 10 minutes
9 Team	–	Allow 1 hour 20 minutes
10 team	–	Allow 1 hour 30 minutes

Double Elimination Format:

3 Team	-	Allow 40 Minutes for races
4 Team	-	Allow 50 minutes for races
5 Team	-	Allow 1 Hour and 10 Minutes for races
6 Team	-	Allow 1 Hours and 30 Minutes for races
7 Team	-	Allow 1 Hours and 45 Minutes for races
8 Team	-	Allow 2 Hours for races
9 Team	-	Allow 2 Hours and 20 Minutes for races
10 Team	-	Allow 2 Hours and 40 Minutes for races
11Team	-	Allow 3 Hours for races
12 Team	-	Allow 3 Hours and 10 Minutes for races
13 Team	-	Allow 3 Hours and 30 Minutes for races
14 Team	-	Allow 3 Hours and 45 Minutes for races
15 Team	-	Allow 4 Hours for races

Competition Organisers who wish to use Elimination race formats for competitions should consult the AFA Web site (under Racing Formats) to establish the correct sequence of race schedules for bothy Single Elimination and Double Elimination Format racing .

Appendix C – CHAMPIONS TROPHY FORMAT

Champions Trophy (CT) Racing utilising the handicap software on the Signature Judging System gives Flyball Racing access to a level playing field for the first time in the sport's history.

Competition organisers now have the opportunity to include Champions Trophy Racing in competition formats (must be approved by AFA committee and advertised). Organisers knowing regular racing will finish at approximately 3pm can invite sponsors and media to the Champions Trophy round where close exciting racing is almost guaranteed.

At the conclusion of regular competition the winning team from each division has automatic entry into the Champions Trophy round. Should the first place team in a division be unavailable for the Champions Trophy round NO! other team will be eligible to substitute. Their first opponent will get an automatic win.

Champions Trophy Racing must be run as single elimination racing, best of 3 heats, or best 3 of 5 heats. Normal Rules of Racing apply except where otherwise stated in this Appendix C.

If a CT Race is drawn (equal wins and losses), the winner of the Race will be decided by the Best

Heat Time in that Race as indicated on the console (ie including the handicap).

How to run Champions Trophy Racing:

Rules for the conduct of Champions Trophy Racing are the AFA rules for single elimination racing with following variations:

- To accommodate handicap structure there will be no restart for first false start. Where the start dog from either team false starts that dog must run again as a 5th dog;
- The sound system on the Signature lights is to be disconnected during the start sequence so that both teams receive light signals only. (If sound is not disconnected then under the handicap structure the first team only receives a sound countdown). It may be reconnected after the first team's start to signal bad crosses.
- The Competition Organisers will request that Team Captains and the AFA Representative check competition points calculations on Timesheets before the start of the Elimination races in order to confirm Divisional winners to take part in Eliminations.
- Handicap times will be calculated for each and every race based on the Best (Heat) Times that the two teams achieved during the preceding regular competition (the Qualifying Round for the CT), including Breakout Time if any.
- Breakout Times for every team in the CT will also be based on their Best Time minus 0.5 seconds. This allows any team that has genuinely improved on its original seed time during the Qualifying Round to not be disadvantaged in the CT round. It will also prevent a team in a single-team division from sandbagging to get a better handicap.
- All teams (including Division 1 winner) will have a Breakout Time in the CT round.
- No breakouts are allowed in CT racing – in other words, one breakout means elimination.
- Breaking out of the CT does NOT mean that the team also breaks out of the regular competition – it still retains its first place in the regular competition.
- Cards from the regular competition DO carry over to the CT round.

Calculating Handicaps and Breakouts:

·Handicap Time: The Handicap Time is the difference between the Best Times from the regular competition for the Left and Right lanes. Example: Division 3 Winner racing Division 2 Winner, the team winning Division 2's Best Time was 20.890 and Division 3 winner's Best Time was 26.973, therefore the handicap is $26.973 - 20.890 = 6.08$ seconds.

Programming the Signature Console: The Handicap Time is entered for the slower team and 0.00 is entered for the faster team.

· Breakout Time: The Champions Trophy Breakout Time for every team is its Best Time in the regular competition minus 0.5 seconds. Example: the Division 2 winner above with a Best Time of 20.890 seconds will have a Breakout Time of 20.39 while the Division 3 winner with Best Time of 26.973 will have a Breakout Time of 26.47 seconds.

Programming the Signature console: enter the new breakout for the slower team, and the new breakout plus the handicap time for the faster team..

Therefore, for the Division 2 winner vs Division 3 winner example, where:

Div 2 Winner Best Time 20.890, CT Breakout 20.39

Div 3 Winner Best Time 26.973, CT Breakout 26.47

The information for programming the Signature console is worked out as follows:

Handicap = 26.973 – 20.890 = 6.08 seconds

Breakout for Div 3 Team = 26.47 seconds

Breakout for Div 2 Team = 20.39 + handicap of 6.08 = 26.47 seconds

This process equates to the same breakout controls used in regular racing to restrict sandbagging.

Please note that the console only works in 1/100th of a sec while seed times and Best Times go to 1/1000th of a sec. When entering Breakouts in the console, we will round times downwards not upwards, eg 26.473 will be entered as 26.47.

· Layout for 4, 5, 6, 7, 8, 9, 10 team single elimination is contained in the AFA rules and policies or on the AFA Website.

· Two team single elimination is self explanatory and requires only one best of race.

· Three team single elimination will be:

Race 1: Div 2 winner v Div 3 winner

Race 2: Winner of race 1 v Div 1 winner.

Console Operating Instructions for Handicap Racing:

1. Press Setup.
2. Press Next Choice.
3. Press Enter to Set Handicap.
4. Key-In Handicap Time L
5. Press Enter
6. Key-In Handicap Time R
7. Press Enter
8. Enter Breakouts as normal
9. Done!

Quick guide to Champions Trophy racing:

- Handicap is calculated by subtracting the fastest time raced by both teams during Regular competition (includes Breakout times).
- The Handicap is entered for the Slower team, so if the team racing in the left lane is 3.24 seconds slower than the team in the right lane you need to enter the 3.24 second handicap in the Left lane and 0.00 in the Right lane.
- Every team's Breakout Time for the CT round = its Best Time - 0.5 seconds
- All teams racing in Champions Trophy Racing including first division winner will have a breakout time applied, simply follow the current procedure for entering these but don't forget to add the Handicap time to the Breakout Time for the faster team.
- Champions Trophy Racing is single elimination, and all Rules of Racing apply except where otherwise stated in this Appendix.

Appendix D – VETERANS CLASS FORMAT

Rules for Veterans Class format shall be the same as for "normal" racing for the equivalent format (Round Robin or Elimination) except where specified otherwise in this Appendix.

1. To qualify for Veterans class dogs must be a minimum of 7 years of age as at date of competition.
2. All members of a team entered for a Veterans class must be 7 years of age or over.
3. Veterans teams can consist of a minimum of 4 dogs and a maximum of 6 dogs and dogs need not be from the same Club. (The 90 day Rule does not apply to Veterans racing.)
4. All Veterans teams jump the minimum Jump height of 7 inches irrespective of the height of the dogs racing.
5. There will be no restarts for false starts in Veterans racing. The dog that commits the false start will be required to run again in order for team to complete the heat.
6. The Race schedule for a Veterans class shall not consist of more than 6 races a day in 3 heat or 4 best 3 of 5 heat formats.
7. Dogs entered in a Veterans class cannot also be entered in any other class at that competition.
8. Dogs that have raced as veterans can be entered in regular classes at subsequent Competitions.
9. AFA Title points will be awarded to dogs in veterans competition under the normal rules – that is two points for a clean run win and one point for a clean run.
10. Veteran Teams are not eligible to claim Australian records
11. Veterans classes must involve a minimum of two nominated teams in order to be conducted at any competition.
12. Where insufficient entries are received for veterans class the competition organiser may combine veterans with open class.

Veterans Class of Competition – Handicap format

Where there are insufficient teams entered for a Veterans Class at a competition resulting in the need for a single Division, or a limited number of Divisions with wide ranges of seed times, Competition organisers may seek approval to run the Veterans Class as a handicap format.

Handicap veterans racing will be conducted in accordance with the following rules:

All rules of Veteran Class of Competition apply.

All veteran teams will declare a seedtime based on the assessed minimum time of the 4 fastest dogs in the team, jumping at 7 inches. All teams will be subject to a break out time one second faster than their declared time. (Note - Judges have been asked to closely monitor any suggestion of sandbagging being displayed by teams involved in this format). The sound system on the Signature timing lights will be disconnected so that both teams receive light signals only.

Veterans Teams will be subject to their own Divisional draw but organisers may spread Veterans races throughout the program rather than running as a separate class.

The handicap will be based on the difference in declared seed times for each Veteran team in the Division and break out times will be one second faster than the declared seed time for each team.

Programming of the console, including handicap and breakouts times, follows the same process as set out under Champion trophy format.

Appendix E – OPEN CLASS FORMAT

Rules for Open Class format shall be the same as for "normal" racing for the equivalent format (Round Robin or Elimination) except where specified otherwise in this Appendix. (see also Rule 1.1 (g) if an Open Class is being offered at a Limited Entry Competition).

1. To qualify for Open class dogs must have valid CRN.
2. Open teams can consist of a minimum of 4 dogs and a maximum of 6 dogs and dogs need not be from the same Club. (The 90 day Rule does not apply to Open racing).
3. Dogs entered in Open Class may also be entered in Regular Class.
4. Dogs that have raced as Open can be entered in regular classes at subsequent Competitions.
5. AFA Title points will be awarded to dogs in open competition under the normal rules – that is two points for a clean run win and one point for a clean run.
6. Open Teams are not eligible to claim Australian records.
7. Open classes must involve a minimum of two nominated teams in order to be conducted at any competition.
8. Where insufficient entries are received for Open Class, the competition organiser may combine Open with Veterans class. Teams entered in Open class do not count towards Flyball Team of the Year, Flyball Club of the Year or Novice Flyball club of the Year award calculations.
9. Where Open and Veterans racing are combined in a single division, the maximum number of races and heats shall be as per the Veterans racing format rules.
10. Open teams are not eligible for Champion Trophy.
11. Only team names registered on the AFA database and showing on the AFA website on the 'Teams' page under the club heading 'Open' should be used when entering a team in Open division racing. Open team names can be used more than once and do not need to be re-registered for every use. Only registered Open team names may be used.

Open Class of Competition – Handicap format

Where there are insufficient teams entered for an Open Class at a competition resulting in the need for a single Division, or a limited number of Divisions with wide ranges of seed times, Competition organisers may seek approval to run the Open Class as a handicap format.

Handicap open racing will be conducted in accordance with the following rules:

All rules of Open Class of Competition apply.

All open teams will declare a seedtime based on the assessed minimum time of the 4 fastest dogs in the team. All teams will be subject to a break out time one second faster than their declared time. (Note – Judges have been asked to closely monitor any suggestion of sandbagging being displayed by teams involved in this format). The sound system on the Signature timing lights will be disconnected so that both teams receive light signals only. Open Teams will be subject to their own Divisional draw but organisers may spread Open races throughout the program rather than running as a separate class.

The handicap will be based on the difference in declared seed times for each Open team in the Division and break out times will be one second faster than the declared seed time for each team.

Programming of the console, including handicap and breakouts times, follows the same process as set out under Champion trophy format.

Appendix F – SCHEDULE OF FEES

<i>Annual Membership (electronic lodgement)</i>	\$20.00
New Membership (includes 1 x CRN, 1 x AFA Rules and Policies Book. No exemptions)	\$25.00
Competition Racing Numbers (CRN) - for additional dogs or renewal memberships of Annual Fee	\$20.00
Urgent Approval of new membership fee	\$10.00
Associate Member - Annual Fee <i>(Note: Junior members must a full member or an Associate Member)</i>	\$5.00
Late Membership Renewal Fee (after 31 st July)	\$10.00
Club Affiliation - Annual Fee	\$30.00
Late Club Affiliation renewal fee (after 31 st July) * Additional to Annual Fee	\$10.00
Sanctioned Permit Application - per competition	\$20.00
EJS Levy - per team entered	\$20.00
Matting Levy – per team entered when matting used	\$10.00
Height Card Applications	\$15.00
Duplicate Height Card - due to loss	\$15.00
Title Certificates <i>(Includes Postage)</i>	\$10.00 ea
Title Pins <i>(Includes Postage)</i>	\$15.00 ea
Title Plaques <i>(Includes Postage and one (1) shield)</i>	\$60.00 ea
Title Shields <i>(Includes Postage)</i>	\$5.00 ea
Hard copy membership renewal <i>(where member has no internet)</i>	\$5.00
Late Competition Result Fees	
- Competition Results – 14 days late	\$20.00
- Competition Results – 30 days	\$40.00
- Competition Results – 60 days	\$80.00

AFA address for postal payments:

PO Box 4179
Pitt Town NSW 2756

Bank Details:

Bank – Commonwealth Bank
BSB: 062 911
Account Number: 10064972
(MUST use CRN Number as Reference)